



**DESCRIPTION** : PCB MOUNT CLIP FOR  $\phi$ 5.20mm FUSE

**PART NO:** P8035-01



RoHS



### MATERIAL

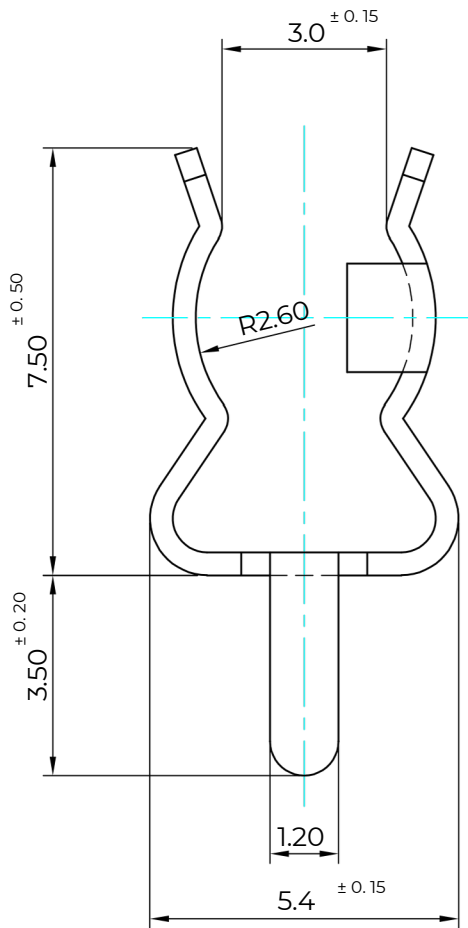
CLIP : PHOSPHOR BRONZE, TIN PLATED.  
PACKING : 1000Nos. min. IN POLY BAG

### ORDERING INFORMATION

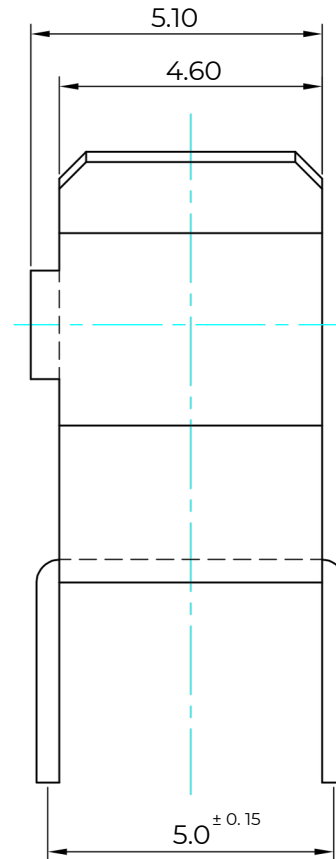
P8035-01

DESCRIPTION : PCB MOUNT CLIP FOR  $\phi 5.20\text{mm}$  FUSE

PART NO: P8035-01



0  
ELEVATION



SIDE VIEW

Projection:

Scale: NTS

Sht. Size: A4

Gen. Tol.:  $\pm 0.25\text{mm}$

ALL DIMENSIONS ARE IN MM.  
IF UNLESS OTHERWISE SPECIFIED.