

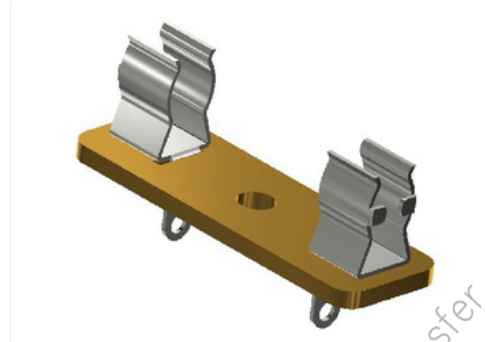


**DESCRIPTION** : PCB MOUNT FUSE BLOCK FOR 6.35x32mm  
FUSES, FLAT BODY, 19.6mm PITCH

**PART NO:** P8030-01



RoHS



### PHYSICAL DATA:

MATERIAL	:	THERMOPLASTIC UL94V-0
CONTACT	:	COPPER ALLOY
FINISH	:	NICKEL PLATED

### ELECTRICAL DATA:

CURRENT RATING	:	10A
CONTACT RESISTANCE	:	30m OHMS MAX
INSULATION RESISTANCE	:	100M OHMS MIN
DIELECTRIC WITHSTANDING	:	500V AC FOR 60 SEC

### MECHANICAL DATA:

INSERTION FORCE	:	1Kg. MIN
EXTRACTION FORCE	:	1Kg. MIN

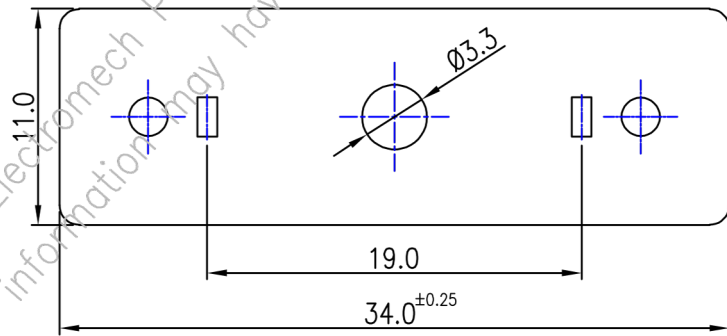
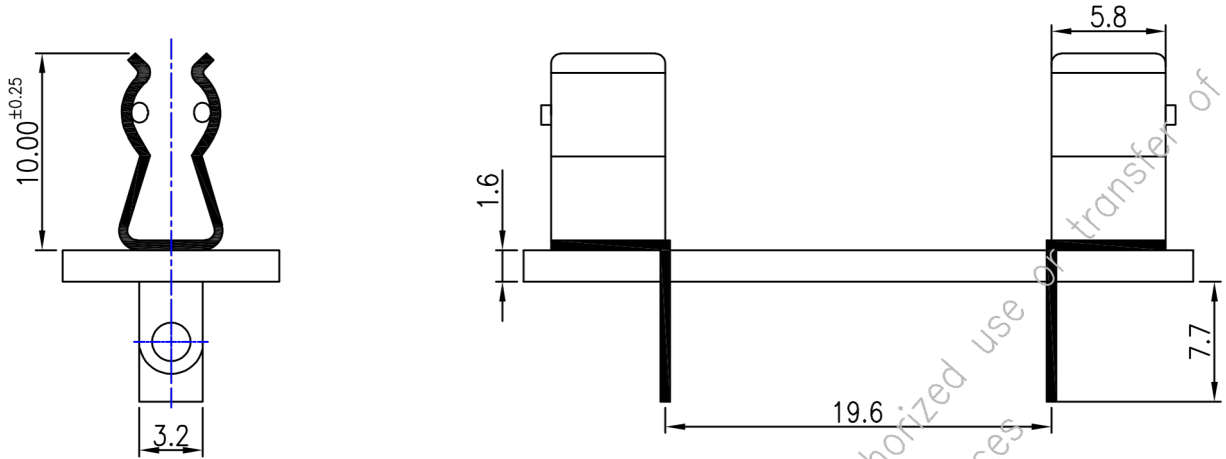
### ENVIRONMENTAL DATA:

TEMPERATURE RISE	:	50°C MAX
------------------	---	----------

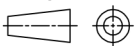


**DESCRIPTION** : PCB MOUNT FUSE BLOCK FOR 6.35x32mm  
FUSES, FLAT BODY, 19.6mm PITCH

**PART NO:** P8030-01



Projection:



Scale: NTS

Sht. Size: A4

Gen. Tol.: ±0.35mm

ALL DIMENSIONS ARE IN MM.  
IF UNLESS OTHERWISE SPECIFIED.