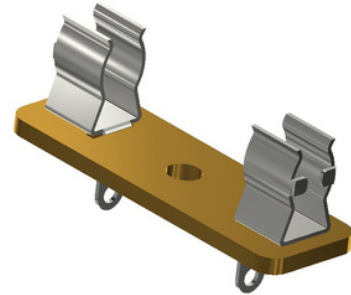




DESCRIPTION : PCB MOUNT FUSE BLOCK FOR 6.35x32mm
FUSES, FLAT BODY, 19.6mm PITCH

PART NO: P8030-01



PHYSICAL DATA:

MATERIAL	:	THERMOPLASTIC UL94V-0
CONTACT	:	COPPER ALLOY
FINISH	:	NICKEL PLATED

ELECTRICAL DATA:

CURRENT RATING	:	10A
CONTACT RESISTANCE	:	30m OHMS MAX
INSULATION RESISTANCE	:	100M OHMS MIN
DIELECTRIC WITHSTANDING	:	500V AC FOR 60 SEC

MECHANICAL DATA:

INSERTION FORCE	:	1Kg. MIN
EXTRACTION FORCE	:	1Kg. MIN

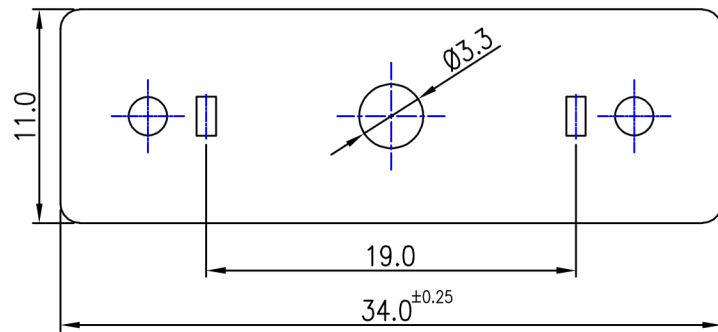
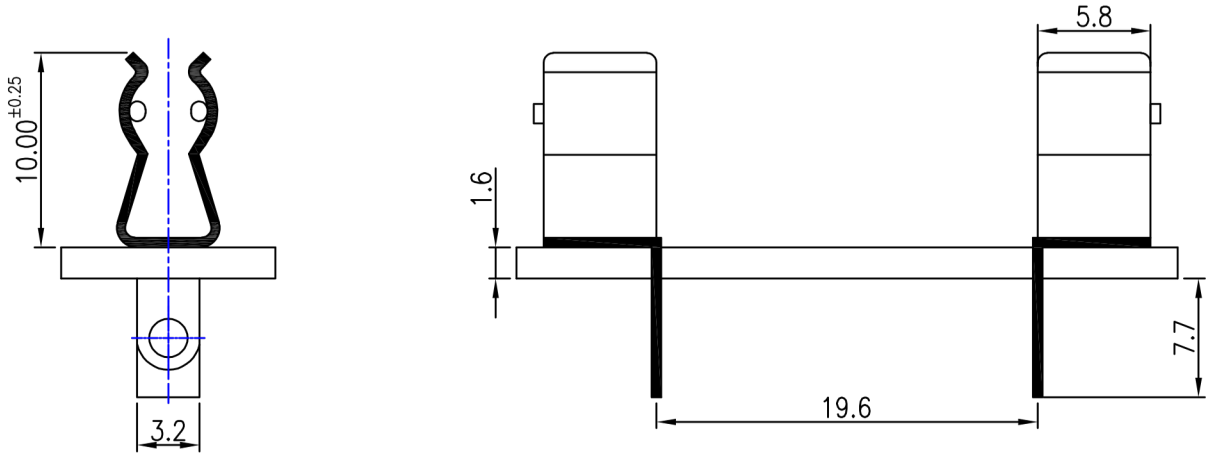
ENVIRONMENTAL DATA:

TEMPERATURE RISE	:	50°C MAX
------------------	---	----------

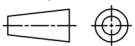


DESCRIPTION : PCB MOUNT FUSE BLOCK FOR 6.35x32mm
FUSES, FLAT BODY, 19.6mm PITCH

PART NO: P8030-01



Projection:



Scale: NTS

Sht. Size: A4

Gen. Tol.: ±0.35mm

ALL DIMENSIONS ARE IN MM.
IF UNLESS OTHERWISE SPECIFIED.