

DESCRIPTION :PCB MOUNT FUSE HOLDER FOR 5x20mm,
BOX TYPE,RoHS

PART NO: P8029-18

RoHS



MATERIAL:

INSULATOR BODY : NYLON6, FR GRADE, UL 94V-0
CONTACT : BRASS,TIN PLATED

ELECTRICAL DATA:

RATED CURRENT : 6.3A
RATED VOLTAGE : 250V
CONTACT REISTANCE : 5m OHMS Max.
INSULATION RESISTANCE : 100M ohms min.
BREAKING VOLTAGE : 1500V min.

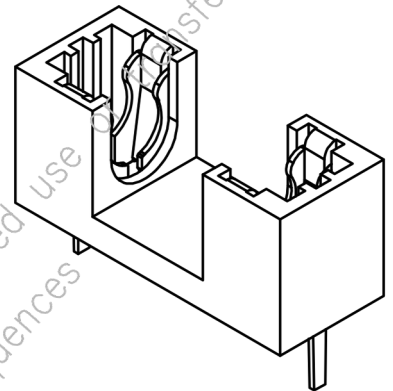
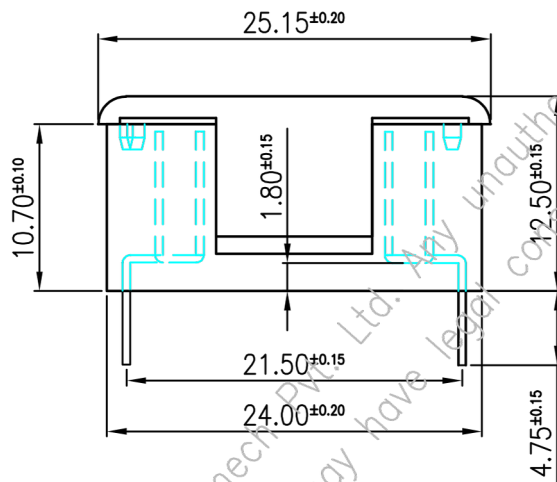
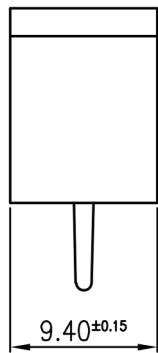
ENVIRONMENTAL DATA:

TEMPERATURE RISE : 50°C MAX

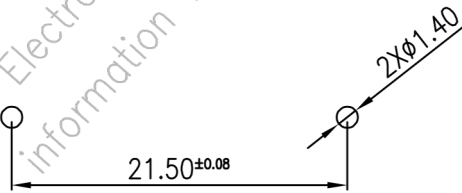


DESCRIPTION :PCB MOUNT FUSE HOLDER FOR 5x20mm,
BOX TYPE,RoHS

PART NO: P8029-18



Open Condition



PCB LAYOUT

Projection:



Scale: NTS

Sht. Size: A4

Gen. Tol.: ±0.3mm
±2'

ALL DIMENSIONS ARE IN MM.
IF UNLESS OTHERWISE SPECIFIED.