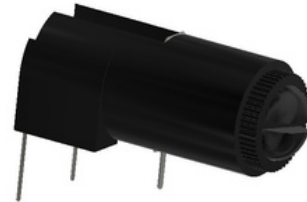




DESCRIPTION : PCB MOUNT FUSE HOLDER FOR 5x20mm FUSE, VERTICAL MOUNT WITH 2 TERMINALS, SCREW TYPE, BLACK BODY

PART NO: P8029-16

RoHS



PHYSICAL DATA

INSULATOR BODY : NYLON FR GRADE, BLACK COLOR
CONTACT : BRASS, TIN PLATED

ELECTRICAL DATA

RATED CURRENT : 6.3A
INSULATION RESISTANCE : 100M Ω MIN
CONTACT RESISTANCE : 5m Ω MAX
BREAKING VOLTAGE : 1500V MIN

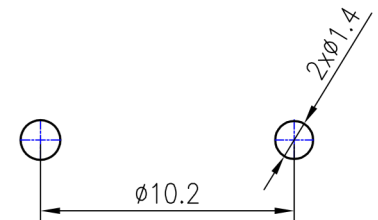
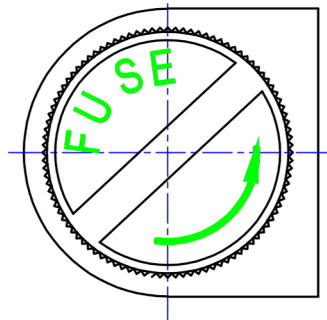
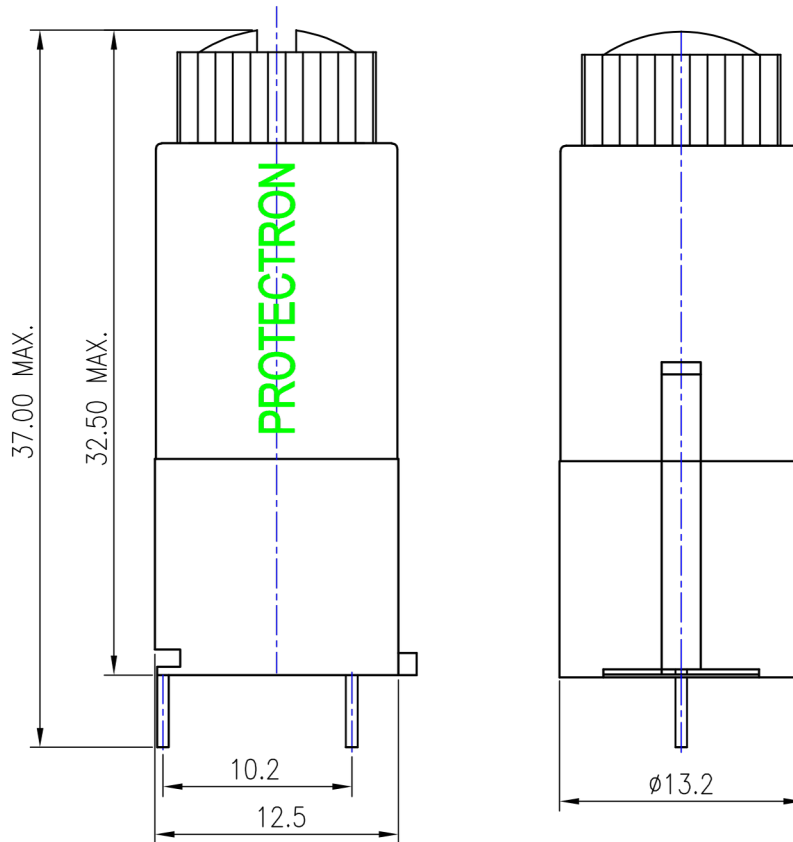
ENVIRONMENTAL DATA

OPERATING TEMPERATURE : -20°C TO +80°C



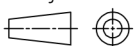
DESCRIPTION : PCB MOUNT FUSE HOLDER FOR 5x20mm FUSE, VERTICAL MOUNT WITH 2 TERMINALS, SCREW TYPE, BLACK BODY

PART NO: P8029-16



PCB MOUNTING HOLE DETAILS

Projection:



Scale: NTS

Sht. Size: A4

Gen. Tol.: $\pm 1\text{mm}$
 $\pm 2^\circ$

ALL DIMENSIONS ARE IN MM.
IF UNLESS OTHERWISE SPECIFIED.