



**DESCRIPTION** : P.C.B MOUNT FUSE HOLDER FOR  $\phi 5.20$  x 20mm  
FUSE, BOX TYPE

**PART NO:** P8029-12

RoHS



**MATERIAL & FINISH:**

INSULATOR BODY : PA66, UL94 V0  
CONTACT : BRASS, TIN PLATED

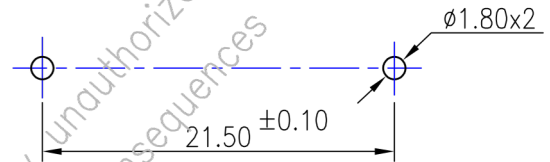
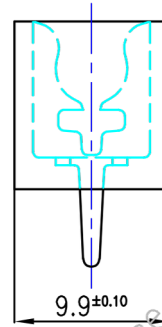
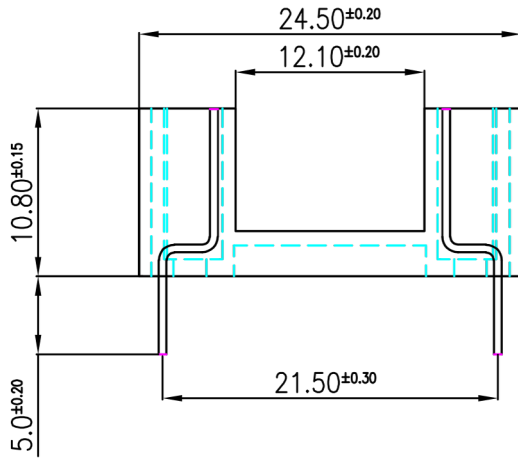
**ELECTRICAL DATA:**

RATED CURRENT : 6.3A 250V  
INSULATION RESISTANCE :  $> 1000M \Omega$  MIN AT 500V DC  
DIELECTRIC STRENGTH : 500V AC MIN  
OPERATING TEMP :  $-20^{\circ}C$  TO  $+85^{\circ}C$   
SOLDERING TEMP :  $270^{\circ}C$  FOR 5 SEC MAX.  
CONTACT RESISTANCE :  $10M \Omega$  MAX



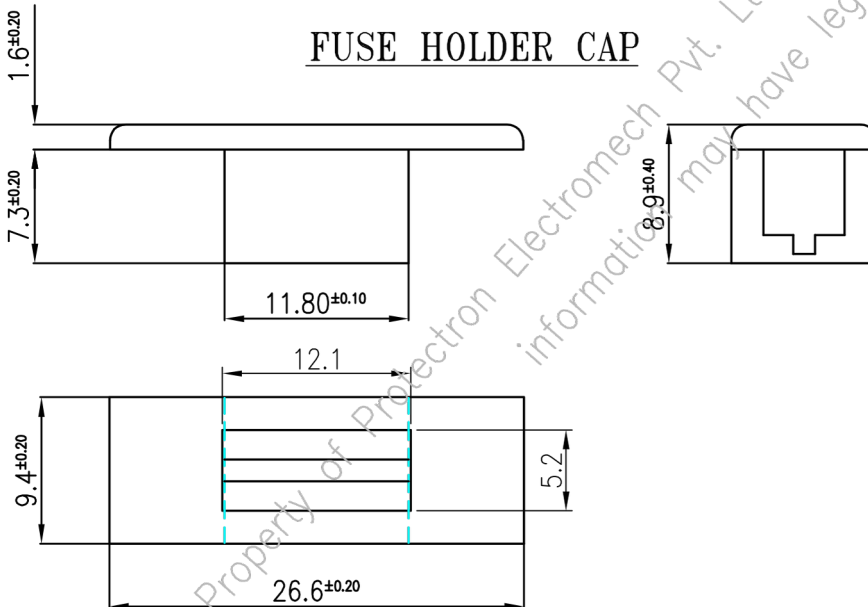
**DESCRIPTION :** P.C.B MOUNT FUSE HOLDER FOR  $\phi 5.20$  x 20mm FUSE, BOX TYPE

**PART NO:** P8029-12

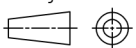


PCB MOUNTING HOLE DETAILS

**FUSE HOLDER CAP**



Projection:



Scale: NTS

Sht. Size: A4

Gen. Tol.:  $\pm 1\text{mm}$   
 $\pm 2^\circ$

ALL DIMENSIONS ARE IN MM.  
IF UNLESS OTHERWISE SPECIFIED.