



**DESCRIPTION** : PANEL MOUNT FUSE HOLDER, SCREW TYPE FOR  
6.30X32mm FUSE

**PART NO:** P8028-A2-2

RoHS 



## PHYSICAL DATA

INSULATOR BODY	:	BAKELITE
TERMINALS	:	COPPER ALLOY, TIN-PLATED
CAP DESIGN	:	SCREW-IN
FUSE LINK SIZE	:	6.30x32mm
PANEL THICKNESS	:	2.0-4.0mm MAX

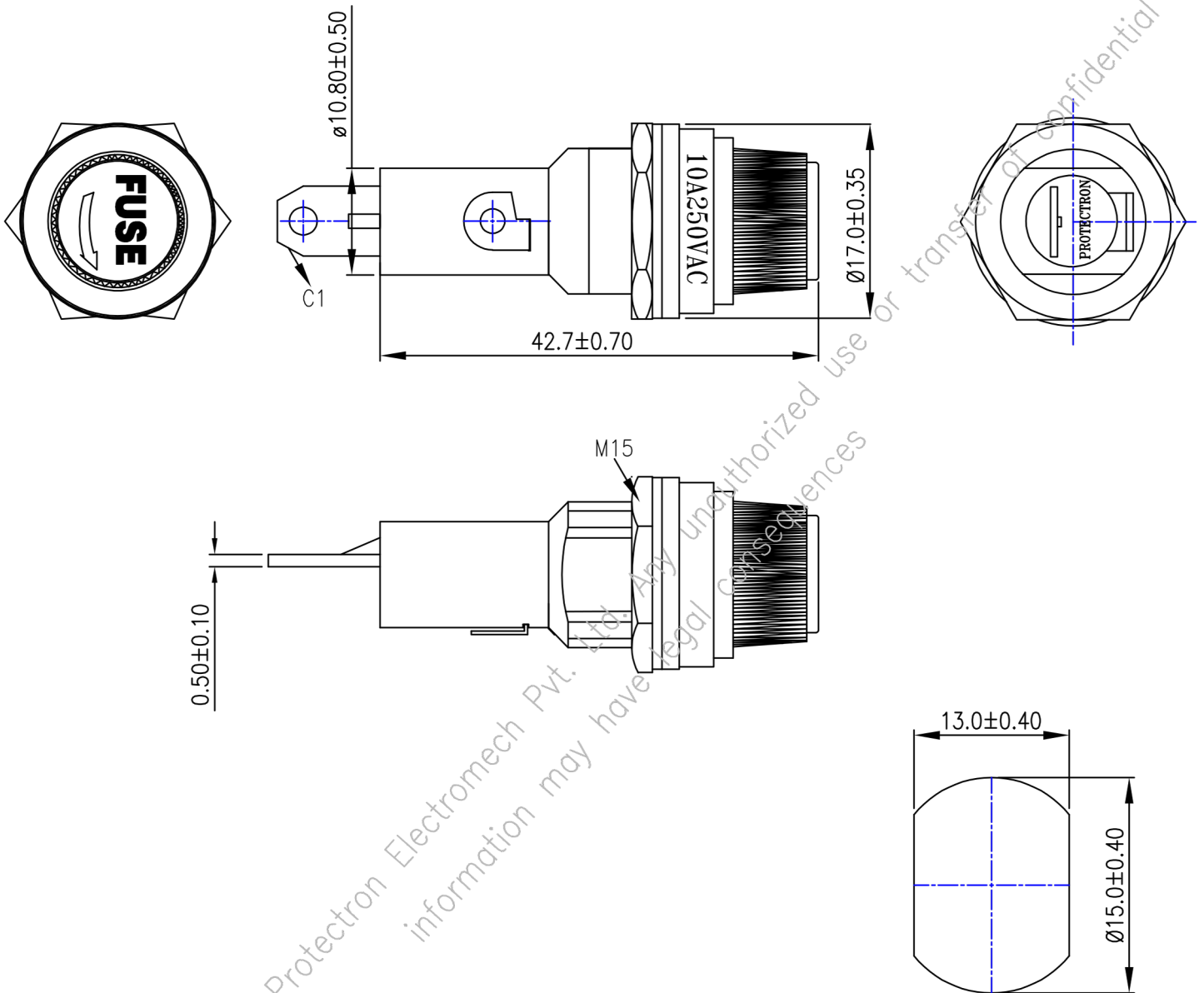
## ELECTRICAL DATA

MAXIMUM RATED VALUE	:	10A 250V AC
DIELECTRIC WITHSTANDING	:	2K VAC, 3K VDC
INSULATION RESISTANCE	:	1000 MΩ AT 500VDC
CONTACT RESISTANCE	:	20 mΩ MAX



**DESCRIPTION :** PANEL MOUNT FUSE HOLDER, SCREW TYPE FOR 6.30X32mm FUSE

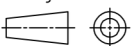
**PART NO:** P8028-A2-2



**RECOMMENDED PCB LAYOUT**

Confidential Property of Protectron Electromech Pvt. Ltd. Any unauthorized use or transfer of confidential information may have legal consequences

Projection:



Scale: NTS

Sht. Size: A4

Gen. Tol.:  $\pm 0.35$ mm

ALL DIMENSIONS ARE IN MM.  
IF UNLESS OTHERWISE SPECIFIED.