



DESCRIPTION : PANEL MOUNT FUSE HOLDER, SCREW TYPE FOR
6.30X32mm FUSE

PART NO:P8028-A2-2

RoHS



PHYSICAL DATA

INSULATOR BODY	:	BAKELITE
TERMINALS	:	COPPER ALLOY, TIN-PLATED
CAP DESIGN	:	SCREW-IN
FUSE LINK SIZE	:	6.30x32mm
PANEL THICKNESS	:	2.0-4.0mm MAX

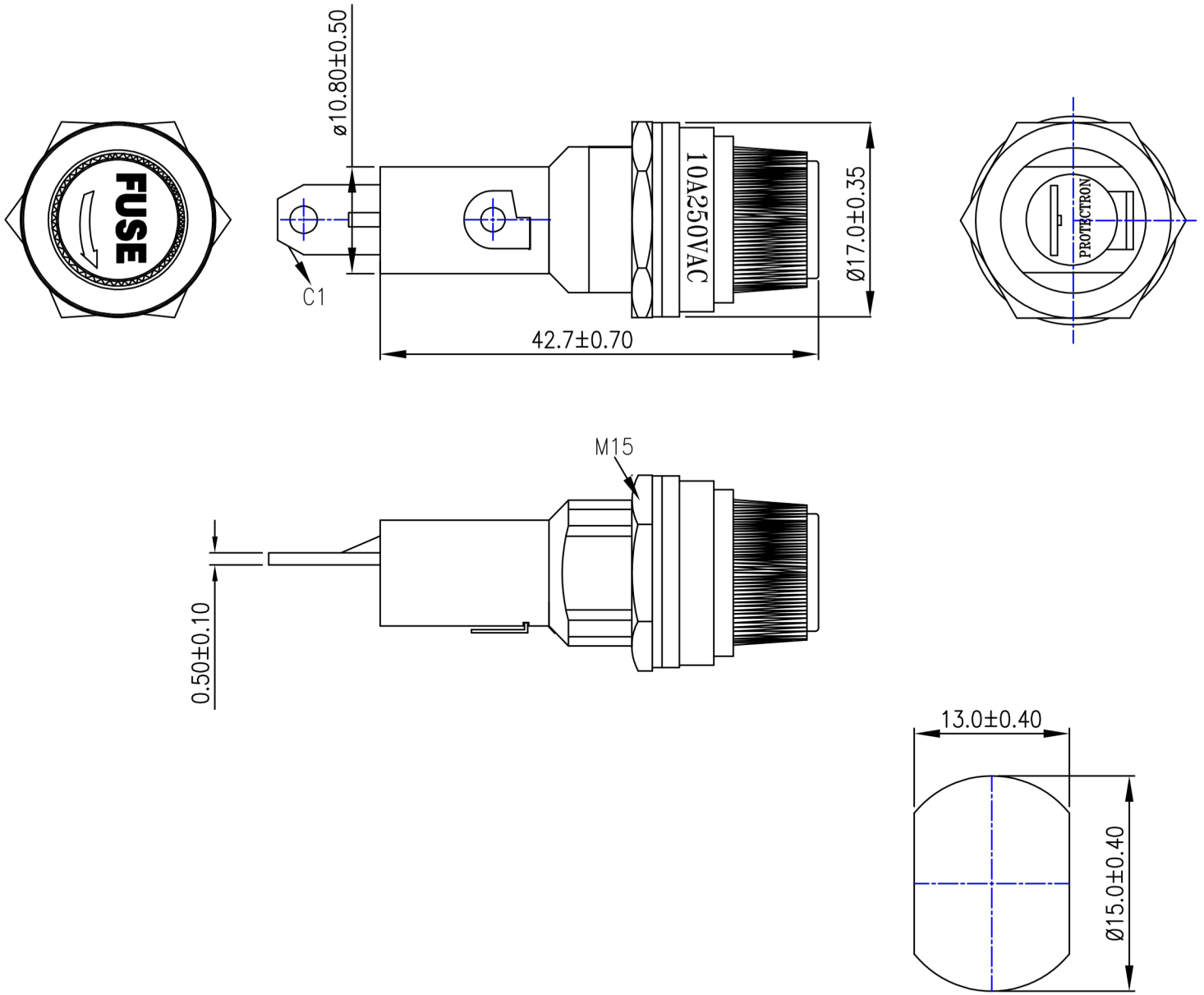
ELECTRICAL DATA

MAXIMUM RATED VALUE	:	10A 250V AC
DIELECTRIC WITHSTANDING	:	2K VAC, 3K VDC
INSULATION RESISTANCE	:	1000 MΩ AT 500VDC
CONTACT RESISTANCE	:	20 mΩ MAX



DESCRIPTION : PANEL MOUNT FUSE HOLDER, SCREW TYPE FOR 6.30X32mm FUSE

PART NO: P8028-A2-2



RECOMMENDED PCB LAYOUT

Projection:



Scale: NTS

Sht. Size: A4

Gen. Tol.: ± 0.35 mm

ALL DIMENSIONS ARE IN MM.
IF UNLESS OTHERWISE SPECIFIED.