



DESCRIPTION : PANEL MOUNT FUSE HOLDER SCREW TYPE FOR 5.20X20mm FUSE **PART NO:** P8028-A1-4

RoHS



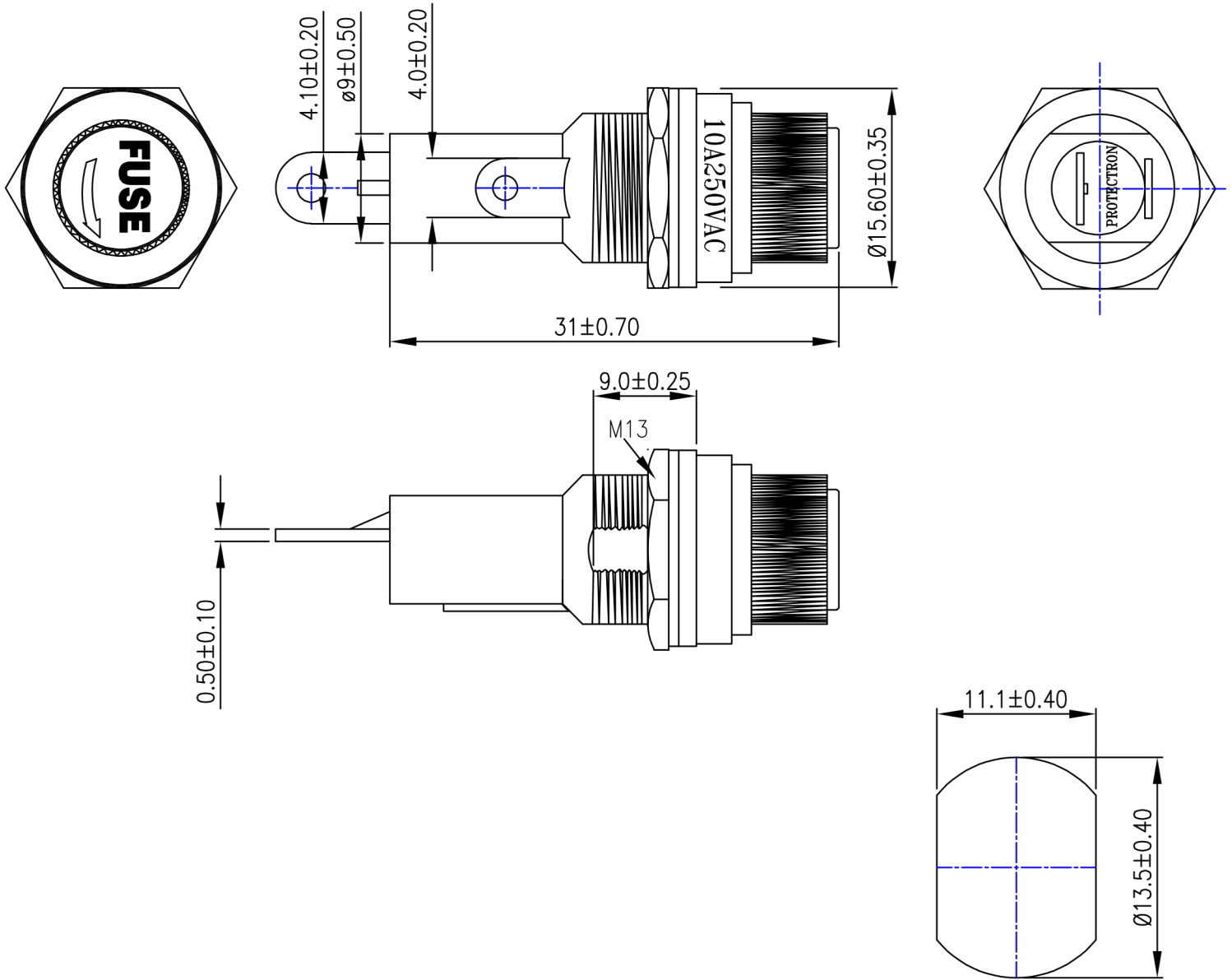
PHYSICAL DATA

INSULATOR BODY	:	BAKELITE
TERMINALS	:	COPPER ALLOY, TIN-PLATED
CAP DESIGN	:	SCREW-IN
FUSE LINK SIZE	:	5.20x20mm
PANEL THICKNESS	:	1.5-3.0mm MAX

ELECTRICAL DATA

MAXIMUM RATED VALUE	:	20A 250V AC
DIELECTRIC WITHSTANDING	:	2K VAC, 3K VDC
INSULATION RESISTANCE	:	1000 MΩ AT 500VDC
CONTACT RESISTANCE	:	20 mΩ MAX

DESCRIPTION : PANEL MOUNT FUSE HOLDER SCREW TYPE FOR 5.20X20mm FUSE **PART NO:** P8028-A1-4



RECOMMENDED PCB LAYOUT

Projection:



Scale: NTS

Sht. Size: A4

Gen. Tol.: ± 0.35 mm

ALL DIMENSIONS ARE IN MM.
IF UNLESS OTHERWISE SPECIFIED.