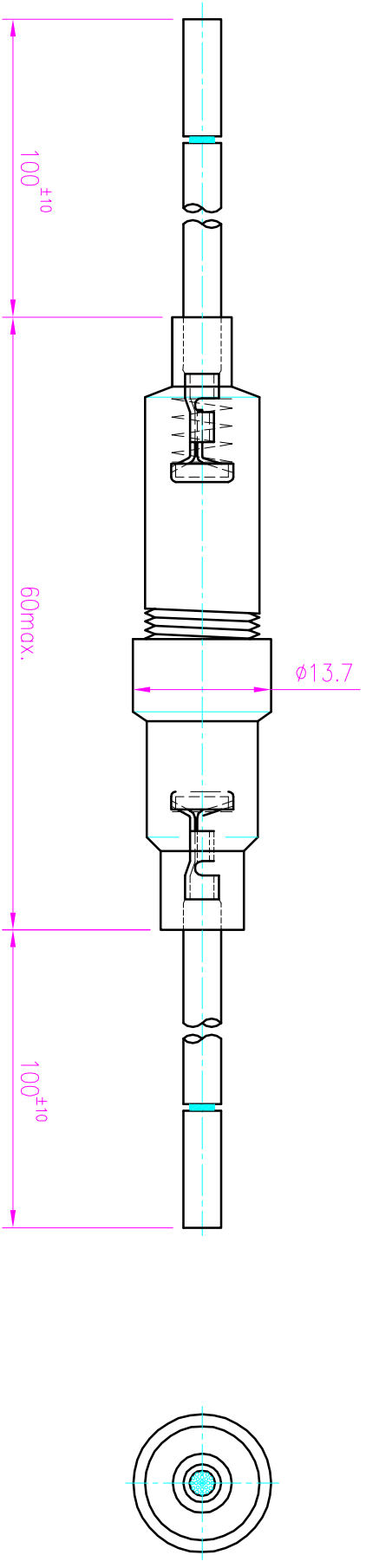


DESC : **IN LINE FUSE HOLDER THREADED TYPE BLACK COLOUR FOR 6.3X32mm** Part No. **P8027-A2** REV. **A**



- NOTE :-**
1. FUSE ENCLOSED IN-LINE FUSE HOLDER THREADED COUPLING.
 2. HARNESS WIRE SHALL BE 24/0.20, RED COLOUR.
 3. THE CONTACT RESISTANCE SHALL BE 5 milliohm MAX.
 4. CRIMPED TERMINAL SHALL WITHSTAND MIN. 3KG.

PROVISIONAL

REV.	ZONE	DESCRIPTION	CHECKED BY	DATE	DOCUMENT CODE : -- --			
A		ORIGINAL		16.12.2008	MATERIAL & FINISH Nylon, Black	HEAT TREATMENT —	Gen. Tol. ±0.1mm ±0.2	ALL DIMENSIONS ARE IN MM. IF UNLESS OTHERWISE SPECIFIED, PROTECTORON ELECTROMECH (P) LTD. Bangalore, INDIA.
					DRAWN BY : ANIL	APP'D BY:	Surface 1.6 Finish Re✓ Scale: NTS	
					DATE : 16.12.2008		Sht. Size: A4	This Document is the property of PROTECTORON ELECTROMECH (P) LTD. it shall not be reproduced or communicated to a third party without prior permission. DWG according to STD. Sheet: 1 OF 1