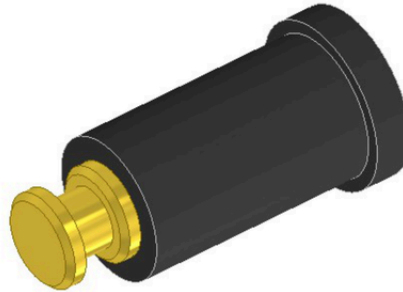


DESCRIPTION : 2.03mm JACK TIP VERTICAL

PART NO: P8025B3X-3K
X= COLOUR OF INSULATOR

RoHS



PHYSICAL DATA

MATERIAL

CONTACT : BERYLLIUM COPPER , GOLD FLASH
OVER SILVER PLATING
INSULATOR : TEFLON
PACKAGING TYPE : BULK PACKING

ELECTRICAL DATA

VOLTAGE RATING : 800 V
CURRENT RATING : 5.5A max.
CONTACT RESISTANCE : 4m OHMS Max.
DIELECTRIC WITHSTANDING : 1000V rms.

MECHANICAL DATA

INSERTION FORCE : 2.2kg MAX
EXTRACTION FORCE : 0.18kg MIN

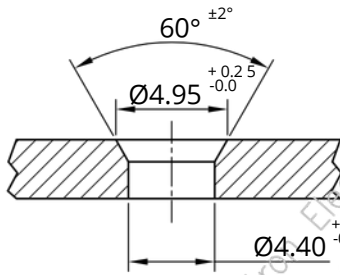
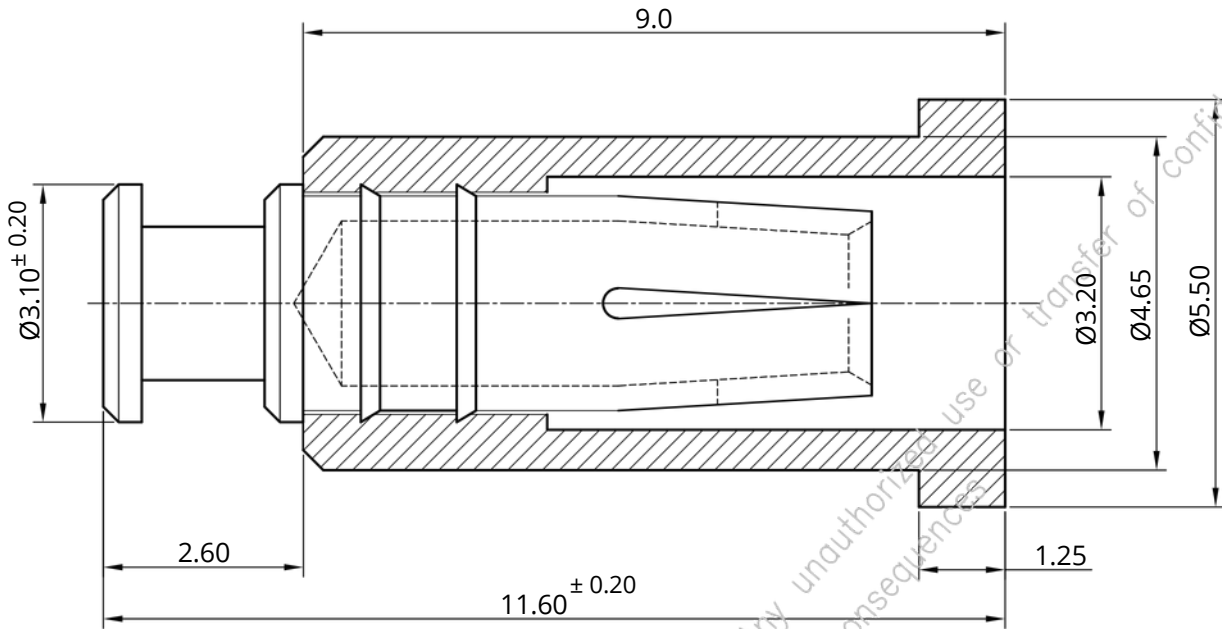
ENVIRONMENTAL DATA

TEMPERATURE RANGE : -65°C TO +85°C



DESCRIPTION : 2.03mm JACK TIP VERTICAL

PART NO: P8025B3X-3K
X= COLOUR OF INSULATOR



MOUNTING DETAILS

Projection:



Scale: NTS

Sht. Size: A4

Gen. Tol.: ±0.5mm
±2°

ALL DIMENSIONS ARE IN MM.
IF UNLESS OTHERWISE SPECIFIED.



DESCRIPTION : 2.03mm JACK TIP VERTICAL

PART NO:P8025B3X-3K
X= COLOUR OF INSULATOR

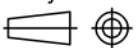
ORDERING INFORMATION

P8025B3X-3K

COLOUR OF INSULATOR

COLOUR	PART NUMBER
	GOLD PLATED
BLACK	P8025B30-3K
BROWN	P8025B31-3K
RED	P8025B32-3K
ORANGE	P8025B33-3K
YELLOW	P8025B34-3K
GREEN	P8025B35-3K
BLUE	P8025B36-3K
VIOLET	P8025B37-3K
GREY	P8025B38-3K
WHITE	P8025B39-3K

Projection:



Scale: NTS

Sht. Size: A4

Gen. Tol.: ±0.5mm
±2'

ALL DIMENSIONS ARE IN MM.
IF UNLESS OTHERWISE SPECIFIED.