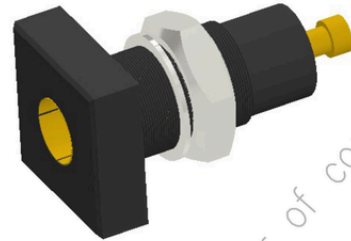




DESCRIPTION : 2.03mm JACK TIP (4mm PANEL MOUNTING
SINGLE CONTACT)

PART NO:P8023-2X-23
X=COLOR OF INSULATOR

RoHS



PHYSICAL DATA

MATERIAL

INSULATOR BODY	:	NYLON
CONTACT	:	PHOSPHOR BRONZE, GOLD PLATED
NUT	:	BRASS, NICKEL PLATED
WASHER	:	BRASS, NICKEL PLATED
PACKAGING TYPE	:	BULK PACKING

ELECTRICAL DATA

CURRENT RATING	:	10A
CONTACT RESISTANCE	:	2m OHMS MAX
INSULATION RESISTANCE	:	1000M OHMS MIN AT 500V DC
VOLTAGE RATING	:	750V AC PEAK
DIELECTRIC WITHSTANDING	:	1500V RMS

MECHANICAL DATA

INSERTION FORCE	:	1.0kg
EXTRACTION FORCE	:	0.50kg

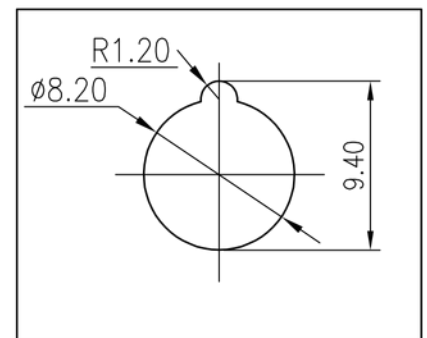
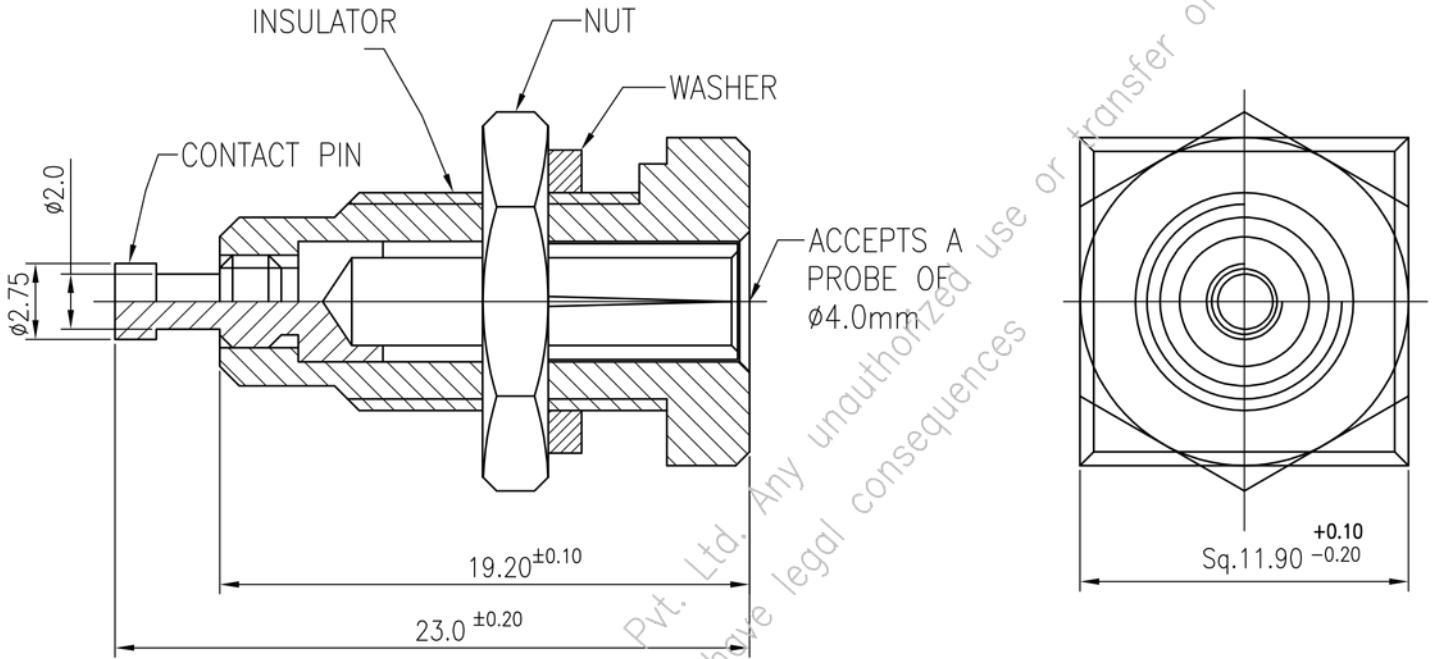
ENVIRONMENTAL DATA

TEMPERATURE RANGE	:	-40°C TO +85°C
-------------------	---	----------------



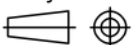
DESCRIPTION : 2.03mm JACK TIP (4mm PANEL MOUNTING SINGLE CONTACT)

PART NO: P8023-2X-23
X=COLOR OF INSULATOR



MOUNTING DETAILS

Projection:



Scale: NTS

Sht. Size: A4

Gen. Tol.: $\pm 0.5\text{mm}$
 $\pm 2'$

ALL DIMENSIONS ARE IN MM.
IF UNLESS OTHERWISE SPECIFIED.



DESCRIPTION : 2.03mm JACK TIP (4mm PANEL MOUNTING
SINGLE CONTACT)

PART NO:P8023-2X-23
X=COLOR OF INSULATOR

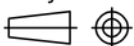
ORDERING INFORMATION

P8023-2X-23

COLOR OF INSULATOR

COLOUR	PART NUMBER
	FOR NYLON GOLD PLATED
BLACK	P8023-20 -23
BROWN	P8023-21 -23
RED	P8023-22 -23
ORANGE	P8023-23 -23
YELLOW	P8023-24 -23
GREEN	P8023-25 -23
BLUE	P8023-26 -23
VIOLET	P8023-27 -23
GREY	P8023-28 -23
WHITE	P8023-29 -23

Projection:



Scale: NTS

Sht. Size: A4

Gen. Tol.: ±0.5mm
±2'

ALL DIMENSIONS ARE IN MM.
IF UNLESS OTHERWISE SPECIFIED.