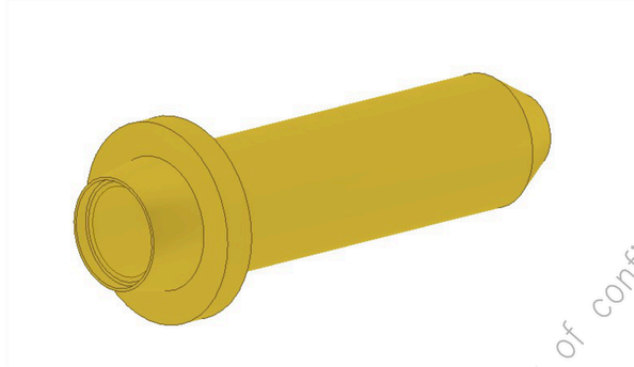


**DESCRIPTION :** 1mm CONNECTOR JACK TIP NON-INSULATED

**PART NO:** P8002-1X-32-X  
1st X= TYPE OF PLATING  
2nd X=0 OR L

RoHS



**PHYSICAL DATA**

**MATERIAL**

INNER CLIP : BERYLLIUM COPPER, GOLD PLATED  
 OUTER SLEEVE : BRASS, SILVER/GOLD/TIN PLATED  
 PACKAGING TYPE : BULK PACKING

**ELECTRICAL DATA**

CONTACT RESISTANCE : 5m OHMS MAX  
 CUREENT RATING : 3A MAX

**MECHANICAL DATA**

INSERTION FORCE : 0045kg MAX  
 EXTRACTION FORCE : 0.056kg MIN  
 EXTRACTION FORCE :  $\phi$ 2.2mm

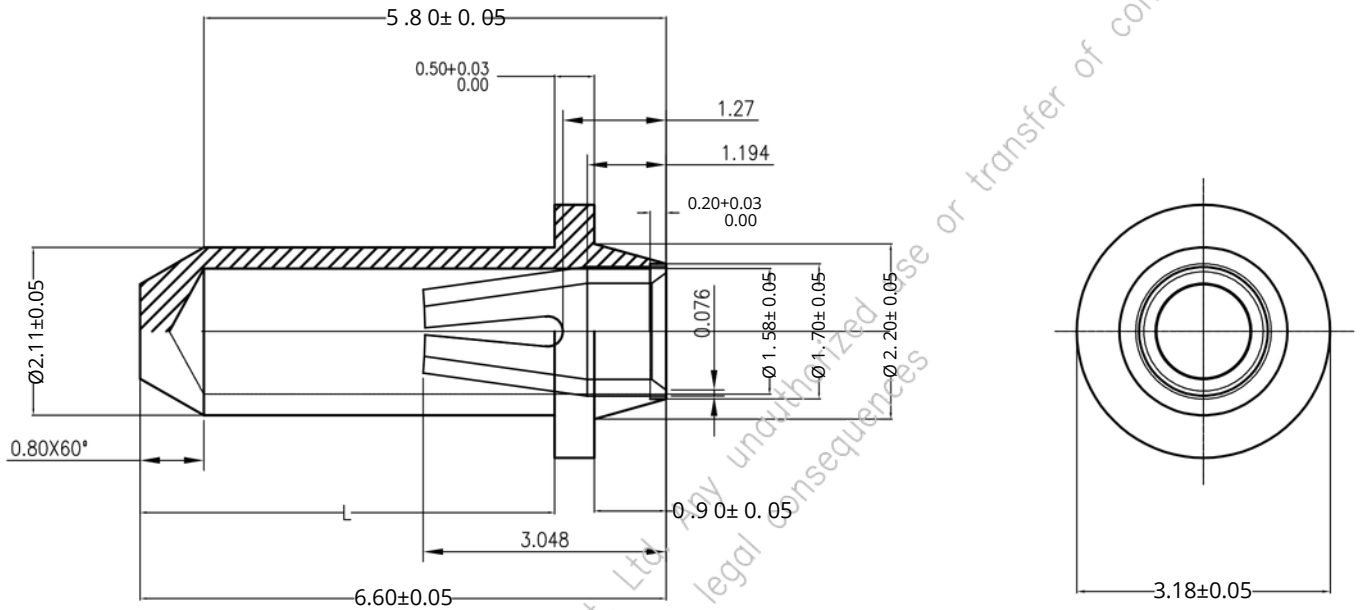
**ENVIRONMENTAL DATA**

TEMPERATURE RANGE : -25°C TO +70°C



**DESCRIPTION :** 1mm CONNECTOR JACK TIP NON-INSULATED

**PART NO:** P8002-1X-32-X  
1st X= TYPE OF PLATING  
2nd X=0 OR L



Projection:



Scale: NTS

Sht. Size: A4

Gen. Tol.: ±0.5mm  
±2'

ALL DIMENSIONS ARE IN MM.  
IF UNLESS OTHERWISE SPECIFIED.



**DESCRIPTION :** 1mm CONNECTOR JACK TIP NON-INSULATED

**PART NO:** P8002-1X-32-X  
1st X= TYPE OF PLATING  
2nd X=0 OR L

**ORDERING INFORMATION**

**P8002-1X-32-X**



FINISH	PART NUMBER	
	FOR L=5.2mm	FOR L=7.2mm
SILVER PLATED	P8002-11-32-0	P8002-11-32-L
GOLD PLATED	P8002-12-32-0	P8002-12-32-L
TIN PLATED	P8002-19-32-0	P8002-19-32-L

**MATES WITH**  
P8003, P8005

**MOQ- 2500 MIN**  
**SPQ- 2500 PER PACK**

Projection:



Scale: NTS

Sht. Size: A4

Gen. Tol.: ±0.5mm  
±2'

ALL DIMENSIONS ARE IN MM.  
IF UNLESS OTHERWISE SPECIFIED.