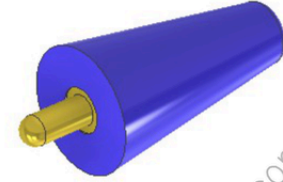




DESCRIPTION: TEST POINT 1mm PCB MOUNTING
INSULATED, CONICAL

PART No:P8001-1X-1X
1st X=TYPE OF COLOR
2nd X=PLATING

RoHS



PHYSICAL DATA

INSULATION

MATERIAL : Polypropylene

COLOR : Refer Table

CONTACT

MATERIAL : Copper Alloy, Silver or Gold Plated

PACKAGING TYPE : Bulk Packing

ELECTRICAL DATA

CONTACT RESISTANCE : 5m OHMS Max.

INSULATION RESISTANCE : 1000M OHMS Min.

DIELECTRIC WITHSTANDING : 500V AC Min.

MECHANICAL DATA

MOUNTING HOLE DIA IN PCB : $\varnothing 1.3\text{mm}$

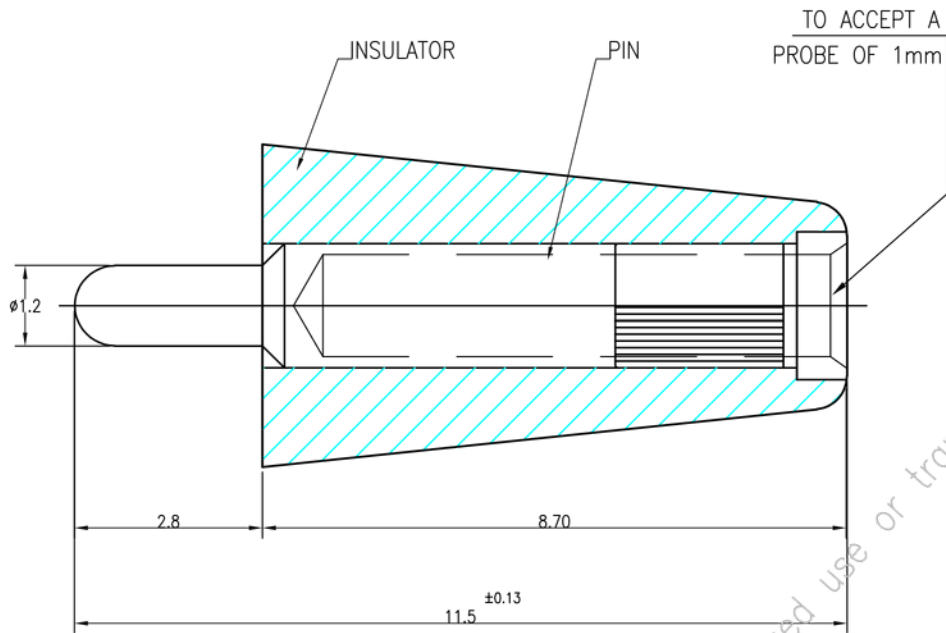
ENVIRONMENTAL DATA

TEMPERATURE RANGE : -25°C TO +70°C



DESCRIPTION: TEST POINT 1mm PCB MOUNTING
INSULATED, CONICAL

PART No: P8001-1X-1X
1st X=TYPE OF COLOR
2nd X=PLATING



ORDERING INFORMATION

MATES WITH
P8003, P8005

P8001-1X-1X

X= TYPE OF COLOR	
BLACK	0
BROWN	1
RED	2
ORANGE	3
YELLOW	4
GREEN	5
BLUE	6
VIOLET	7
GREY	8
WHITE	9

PLATING	
Ag 5μ	1
Ni2 Au0.2μ	2

Projection:

Scale: NTS

Sht. Size: A4

Gen. Tol.: ±0.5mm
±2'

ALL DIMENSIONS ARE IN MM.
IF UNLESS OTHERWISE SPECIFIED.