



PROTECTRON ELECTROMECH (P) LTD

DESCRIPTION : MICRO USB AB TYPE, 5 PIN, RECEPTACLE BOTTOM
MOUNT, RoHS

PART NO: P707MIBAB-05-5



PHYSICAL DATA

MATERIAL

HOUSING	:	THERMOPLASTIC
FLAMMABILITY	:	UL94V-0
CONTACT	:	COPPER ALLOY T=0.15mm
SHELL	:	COPPER ALLOY T=0.25mm
FINISH		
CONTACT	:	COPPER ALLOY T=0.15mm
SHELL	:	COPPER ALLOY T=0.25mm

ELECTRICAL DATA

CURRENT RATING	:	0.5A FOR 2, 3, 4 CONTACTS 1.8A FOR 1, 5 CONTACTS
VOLTAGE RATING	:	30V AC
CONTACT RESISTANCE	:	30m OHMS MAX.
INSULATION RESISTANCE	:	100M OHMS MIN.
DIELECTRIC WITHSTANDING	:	250V AC FOR 1MIN

ENVIRONMENTAL DATA

OPERATING TEMPERATURE	:	-30°C TO +85°C
-----------------------	---	----------------

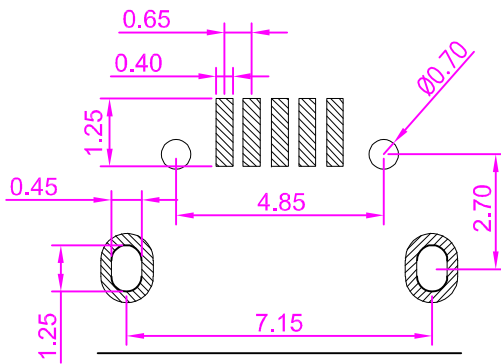
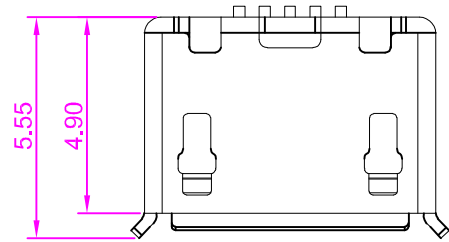
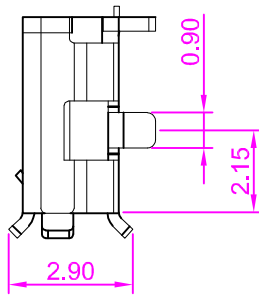
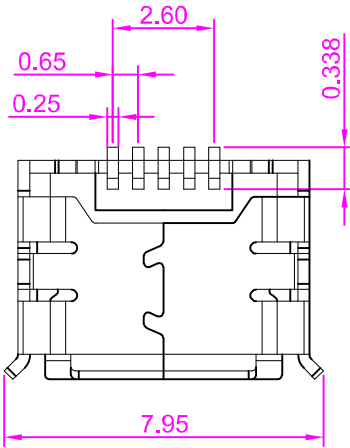
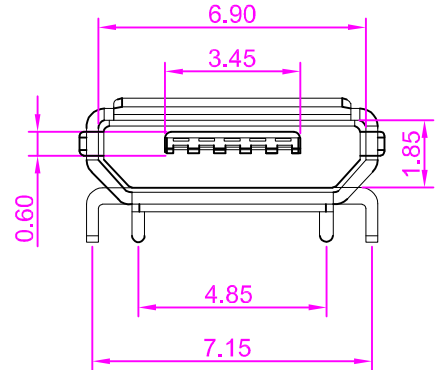
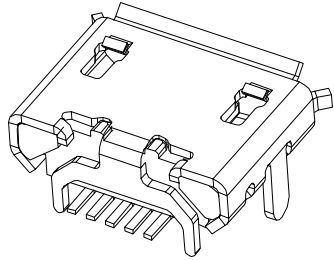
PROVISIONAL



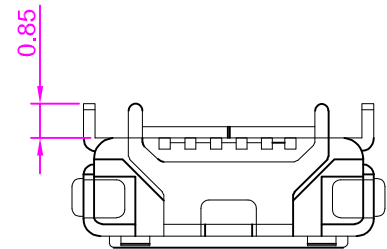
PROTECTRON ELECTROMECH (P) LTD

DESCRIPTION : MICRO USB AB TYPE, 5 PIN, RECEPTACLE BOTTOM MOUNT, RoHS

PART NO: P707MIBAB-05-5



RECOMMENDED PCB LAYOUT
(PCB TOLERANCE ±0.05)



PROVISIONAL

A	ORIGINAL	GEETHA	05.09.2019		
REV.	DESCRIPTION		DRN. BY	DATE	CK'ED BY APP'D BY
	Projection: 	Scale: NTS	Sht. Size: A4	Gen. Tol.: ±0.35mm ±2'	ALL DIMENSIONS ARE IN MM. IF UNLESS OTHERWISE SPECIFIED.