



PROTECTRON ELECTROMECH (P) LTD

DESCRIPTION : MICRO USB AB TYPE, 5 PIN, RECEPTACLE BOTTOM
MOUNT, RoHS

PART NO: P707MIBAB-05-5



PHYSICAL DATA

MATERIAL

HOUSING : THERMOPLASTIC
FLAMMABILITY : UL94V-0
CONTACT : COPPER ALLOY T=0.15mm
SHELL : COPPER ALLOY T=0.25mm

FINISH

CONTACT : COPPER ALLOY T=0.15mm
SHELL : COPPER ALLOY T=0.25mm

ELECTRICAL DATA

CURRENT RATING : 0.5A FOR 2, 3, 4 CONTACTS
1.8A FOR 1, 5 CONTACTS

VOLTAGE RATING : 30V AC

CONTACT RESISTANCE : 30m OHMS MAX.

INSULATION RESISTANCE : 100M OHMS MIN.

DIELECTRIC WITHSTANDING : 250V AC FOR 1MIN

ENVIRONMENTAL DATA

OPERATING TEMPERATURE : -30°C TO +85°C

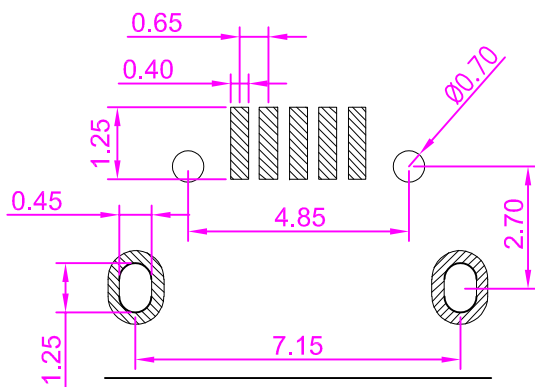
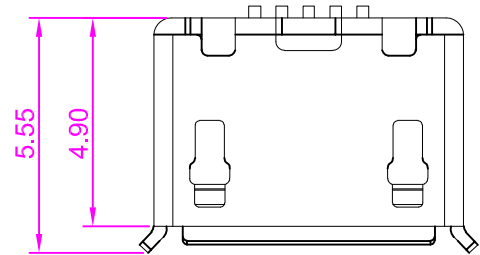
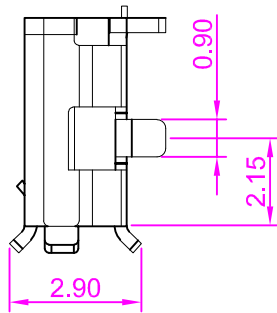
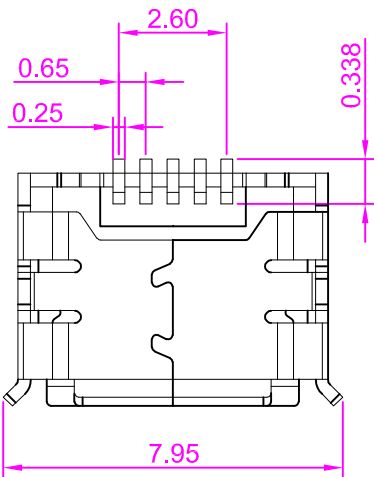
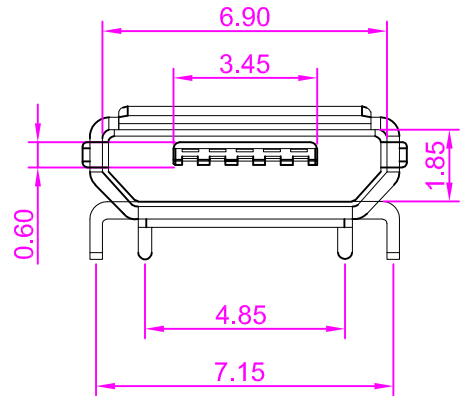
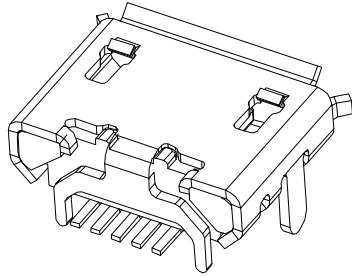
PROVISIONAL



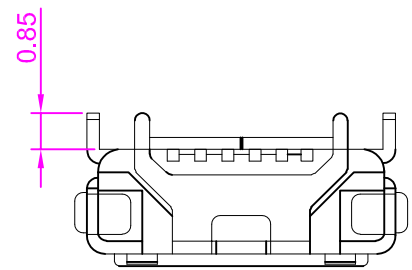
PROTECTRON ELECTROMECH (P) LTD

DESCRIPTION : MICRO USB AB TYPE, 5 PIN, RECEPTACLE BOTTOM MOUNT, RoHS

PART NO: P707MIBAB-05-5



RECOMMENDED PCB LAYOUT
(PCB TOLERANCE ±0.05)



PROVISIONAL

A	ORIGINAL	GEETHA	05.09.2019		
REV.		DESCRIPTION	DRN. BY	DATE	CK'ED BY APP'D BY
	Projection: 	Scale: NTS	Sht. Size: A4	Gen. Tol.: ±0.35mm ±2'	ALL DIMENSIONS ARE IN MM. IF UNLESS OTHERWISE SPECIFIED.