



PROTECTRON ELECTROMECH (P) LTD

DESCRIPTION : DUAL TYPE 2.0 USB A TYPE CONNECTOR &
TYPE C 14 TERMINAL STRAIGHT PIN, RoHS

PART NO: P707DC-14-1

RoHS



PHYSICAL DATA

MATERIAL : REFER TABLE
PACKAGING TYPE : STANDARD

ELECTRICAL DATA

CURRENT RATING : USB: 5A
TYPE C: 8A
VOLTAGE RATING : 30V DC
CONTACT RESISTANCE : 40m OHMS MAX
INSULATION RESISTANCE : 1000M OHMS MIN
DIELECTRIC WITHSTANDING : 100V AC

MECHANICAL DATA

MATING FORCE : 3.5Kgf Max
UN MATING FORCE : 1.01Kgf Min
MECHANICAL LIFE : TYPE C :10000 CYCLES MIN
USB :1500 CYCLES MIN

ENVIRONMENTAL DATA

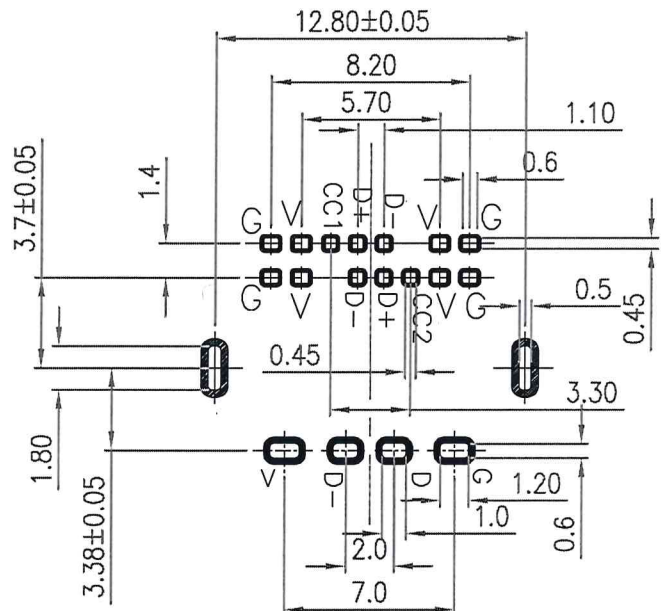
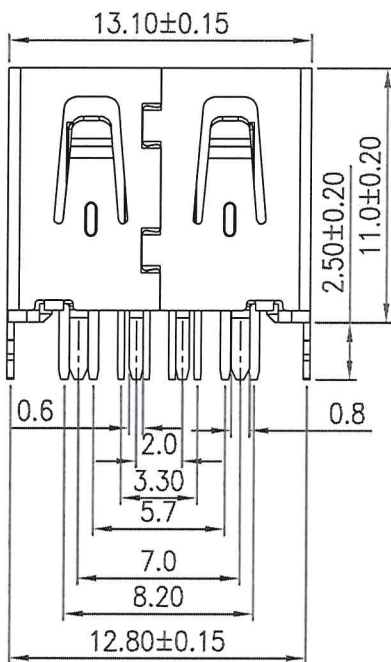
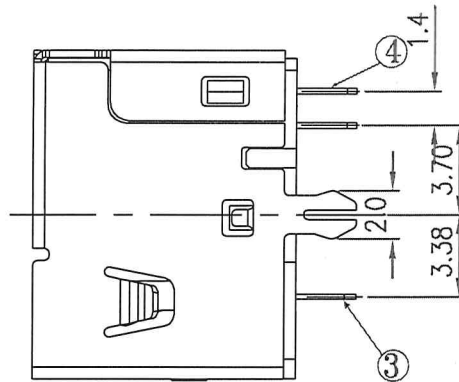
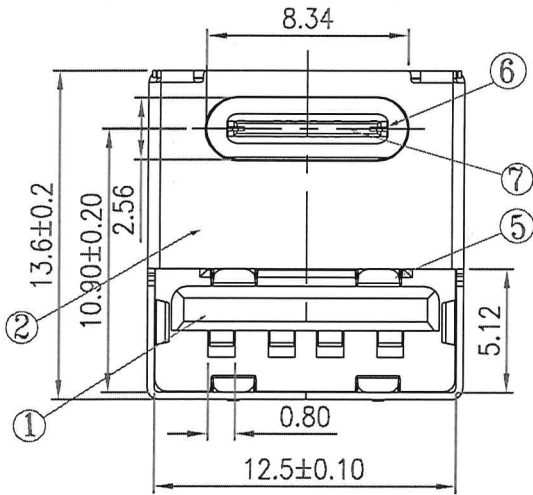
OPERATING TEMPERATURE : -35°C to +85°C



PROTECTRON ELECTROMECH (P) LTD

DESCRIPTION : DUAL TYPE 2.0 USB A TYPE CONNECTOR & TYPE C 14 TERMINAL STRAIGHT PIN, RoHS

PART NO: P707DC-14-1



RECOMMENDED PCB LAYOUT
(PCB TOLERANCE ±0.05)

7	TYPE C MD	HIGH TEMP	BLACK	UL 94V-0
6	CENTER PIECE	STAINLESS STEEL	—	NO Plated
5	TYPE C TERMINAL	COPPER ALLOY	—	Gold Plated
4	CLIP	SEE NOTE	—	Ni Plated
3	USB TERMINAL	COPPER ALLOY	—	Gold Plated
2	SHELL	STEEL	—	Ni Plated
1	HOUSING	HIGH TEMP	BLACK	UL 94V-0
SL.NO	DESCRIPTION	MATERIAL	COLOR	REMARK

A	ORIGINAL	SOUMYA	30.03.2023	<i>[Signature]</i>	
REV.	DESCRIPTION	DRAWN BY	DATE	CK'ED BY	APP'D BY

Projection: 	Scale: NTS	Sht. Size: A4	Gen. Tol.: ±0.35mm	ALL DIMENSIONS ARE IN MM. IF UNLESS OTHERWISE SPECIFIED.
-----------------	------------	---------------	--------------------	---

<http://www.protectron.in>
protectron@protectron.in