



PROTECTRON ELECTROMECH (P) LTD

DESCRIPTION : USB C TYPE CONNECTOR, 16PIN WATER PROOF
IP68 (FOR 1mm PCB)

PART NO: P7072CW-16-1

RoHS



PHYSICAL DATA

INSULATOR : LCP, UL94V-0, BLACK COLOR
CONTACT : COPPER ALLOY, SELECTIVE GOLD PLATING
SHELL : STAINLESS STEEL , NICKEL PLATED

ELECTRICAL DATA

CURRENT RATING : 3A
VOLTAGE RATING : 30VAC
INSULATION RESISTANCE : 100M OHMS MIN
CONTACT RESISTANCE : 40m OHMS MAX

MECHANICAL DATA

MATING FORCE : 5N ~ 20N
UN MATING FORCE : 8N ~ 20N
DURABILITY : 10,000 CYCLES

ENVIRONMENTAL DATA

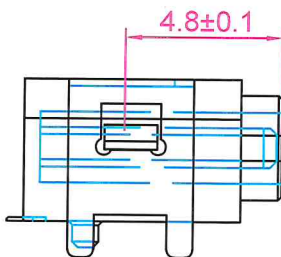
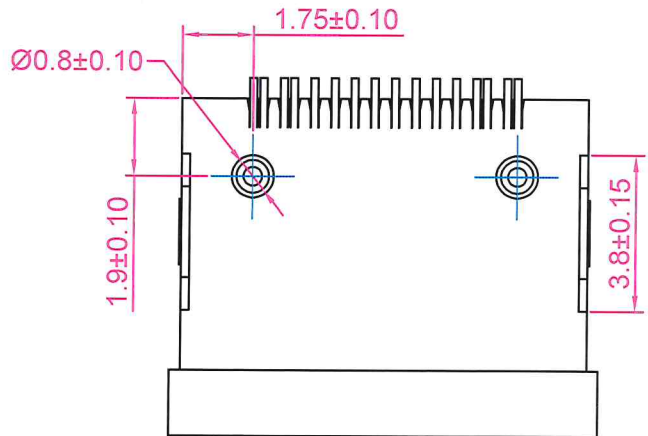
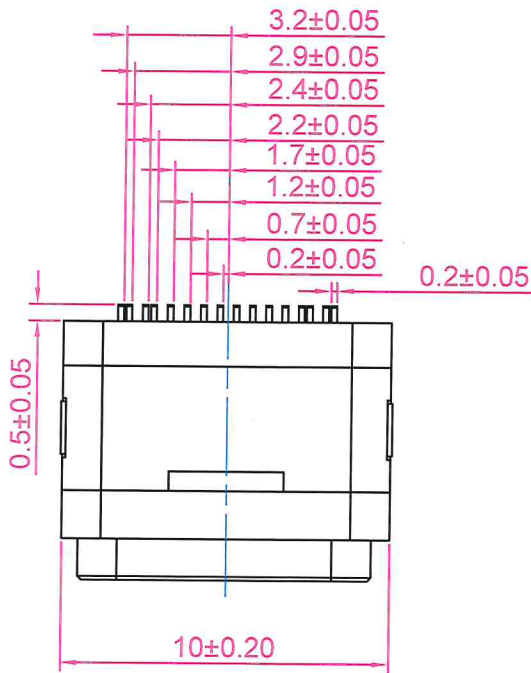
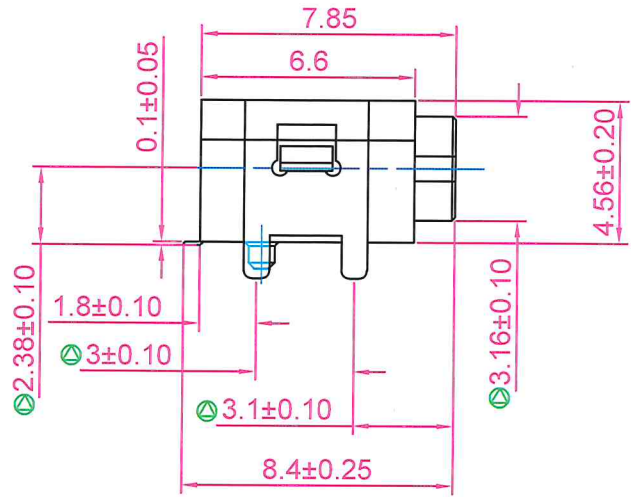
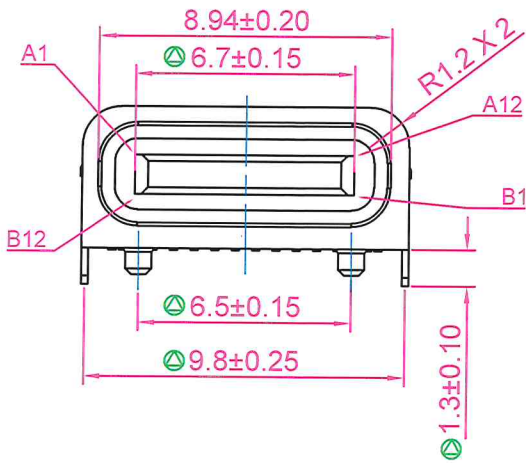
OPERATING TEMPERATURE : -30°C to +85°C



PROTECTRON ELECTROMECH (P) LTD

DESCRIPTION : USB C TYPE CONNECTOR, 16PIN WATER PROOF IP68 (FOR 1mm PCB)

PART NO: P7072CW-16-1



MATING PART INSERTION

NOTE

⊕ SYMBOL REPRESENTS CRITICAL DIMENTION

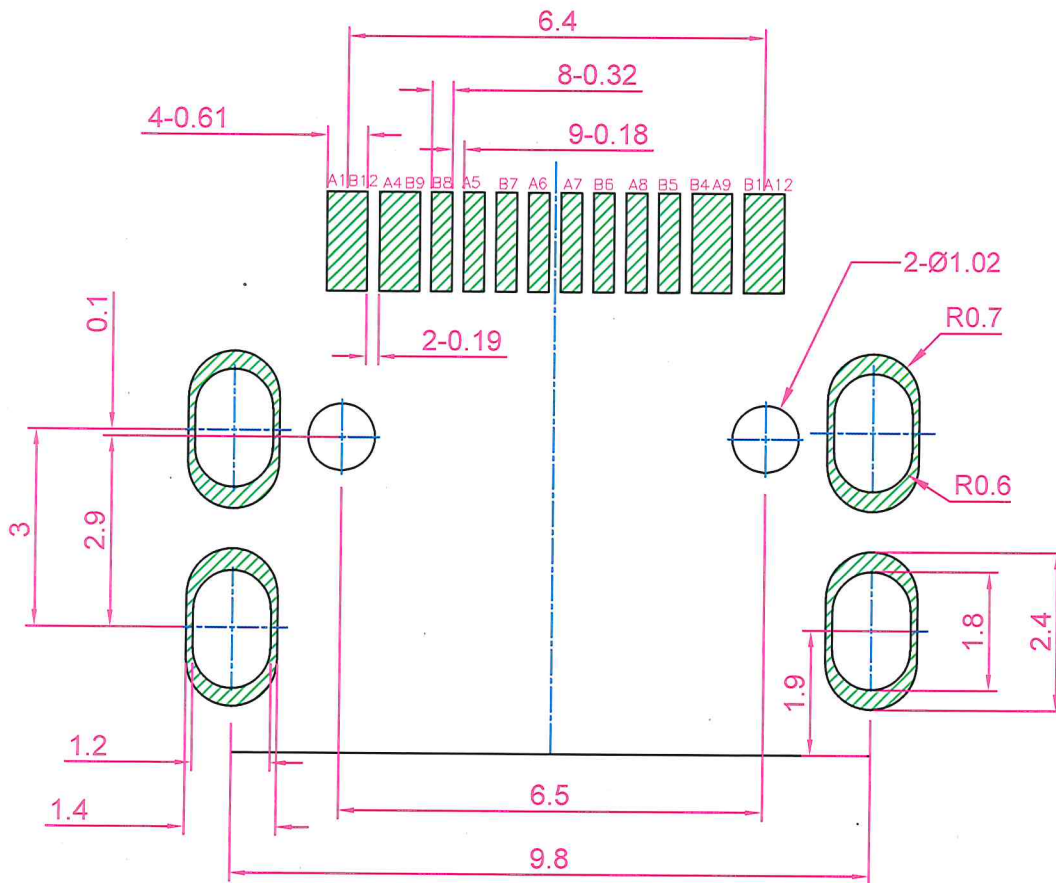
| USB TYPE-C FULL-FEATURED RECEPTACLE INTERFACE PIN ASSIGNMENTS | | | | | |
|---|-------------|---|-----|-------------|---|
| PIN | SIGNAL NAME | DESCRIPTION | PIN | SIGNAL NAME | DESCRIPTION |
| A1 | GND | GROUND RETURN | B12 | GND | GROUND RETURN |
| A4 | VBUS | BUS POWER | B9 | VBUS | BUS POWER |
| A5 | CC1 | CONFIGURATION CHANNEL | B8 | SBU2 | SIDEBAND USE (SBU) |
| A6 | DP1 | POSITIVE HALF OF THE USB 2.0 DIFFERENTIAL PAIR-POSITION 1 | B7 | DN2 | NEGATIVE HALF OF THE USB 2.0 DIFFERENTIAL PAIR-POSITION 2 |
| A7 | DN1 | NEGATIVE HALF OF THE USB 2.0 DIFFERENTIAL PAIR-POSITION 1 | B6 | DP2 | POSITIVE HALF OF THE USB 2.0 DIFFERENTIAL PAIR-POSITION 2 |
| A8 | SBU1 | SIDEBAND USE(SBU) | B5 | CC2 | CONFIGURAAION CHANNEL |
| A9 | VBUS | BUS POWER | B4 | VBUS | BUS POWER |
| A12 | GND | GROUND RETURN | B1 | GND | GROUND RETURN |



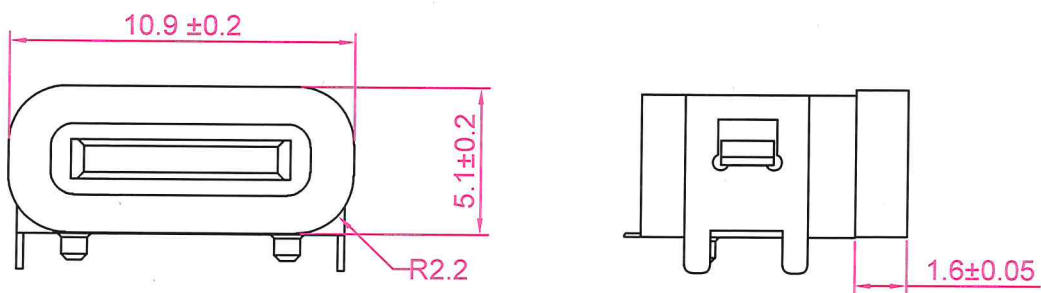
PROTECTRON ELECTROMECH (P) LTD

DESCRIPTION : USB C TYPE CONNECTOR, 16PIN WATER PROOF
IP68 (FOR 1mm PCB)

PART NO: P7072CW-16-1



RECOMMENDED PCB LAYOUT (FOR 1mm PCB)
(TOLERANCE ± 0.05)



GASKET DETAILS

| | | | | |
|------|-----------------|----------|------------|--------------------|
| A1 | DRAWING UPDATED | SHUEAB | 26.08.2023 | <i>[Signature]</i> |
| A | ORIGINAL | YASHWANT | 06.05.2023 | |
| REV. | DESCRIPTION | BY | DATE | CK'ED BY APP'D BY |

| | | | | |
|-----------------|------------|---------------|--|---|
| Projection: | Scale: NTS | Sht. Size: A4 | Gen. Tol.: $\pm 0.20\text{mm}$ $\pm 2'$ | ALL DIMENSIONS ARE IN MM. IF UNLESS OTHERWISE SPECIFIED. |
|-----------------|------------|---------------|--|---|