



# PROTECTRON ELECTROMECH (P) LTD

DESCRIPTION : USB 3.0 A TYPE, HORIZONTAL MOUNT

PART NO: P7071A-09-X

RoHS



## PHYSICAL

### INSULATION

MATERIAL : THERMOPLASTIC

FLAMMABILITY : UL94V-0

COLOR : BLUE

### CONTACT

MATERIAL : COPPER ALLOY, SELECTIVE GOLD PLATING

SHELL : COPPER ALLOY, NICKEL PLATING

PLATING : REFER TABLE

## ELECTRICAL DATA

CURRENT RATING : 1.5A

VOLTAGE RATING : 500V AC/DC

INSULATION RESISTANCE : 100M  $\Omega$  MAX

CONTACT RESISTANCE : 30m  $\Omega$  MAX

## MECHANICAL DATA

MATING FORCE : 3.57Kgf MAX

UNMATING FORCE : 1.02Kgf MIN

## ENVIRONMENT DATA

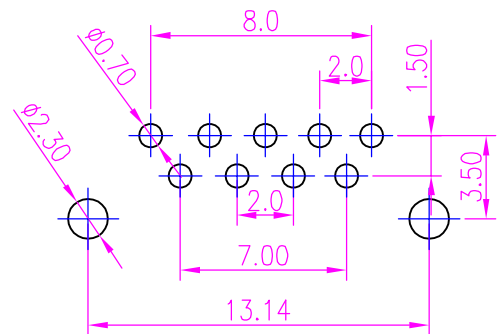
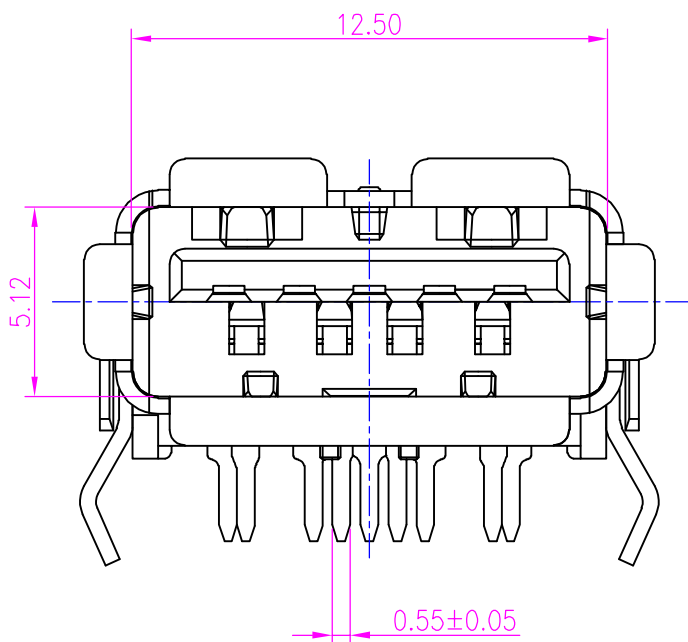
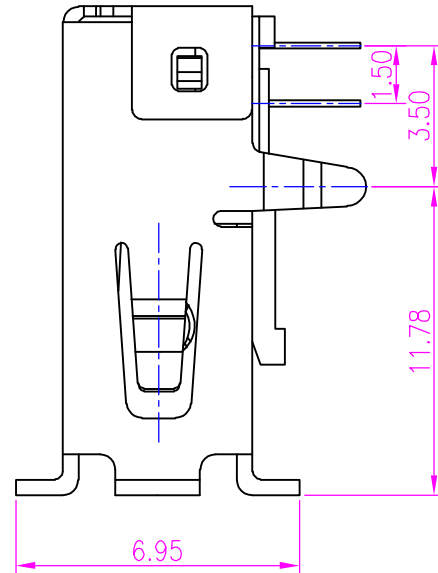
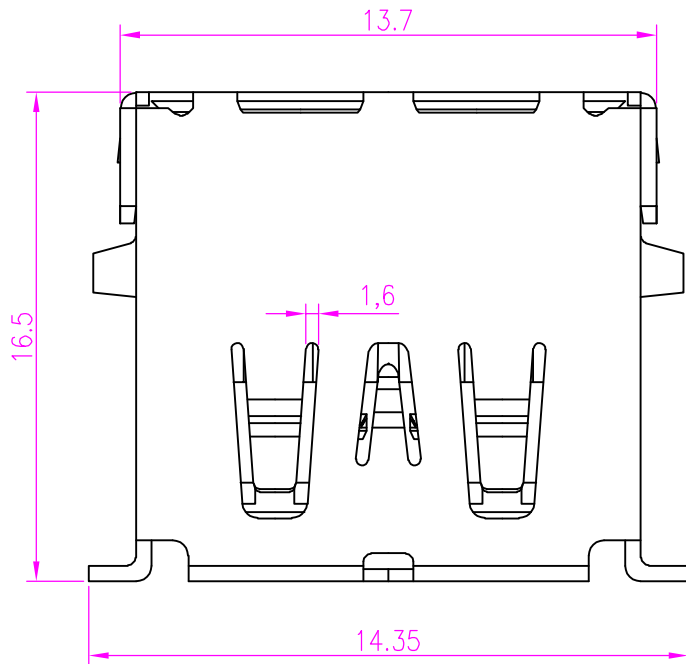
TEMPERATURE RANGE : -55°C TO +105°C



# PROTECTRON ELECTROMECH (P) LTD

DESCRIPTION : USB 3.0 A TYPE, HORIZONTAL MOUNT

PART NO: P7071A-09-X



RECOMMENDED P.C.B LAYOUT

## ORDERING INFORMATION

P7071A-09-X

5	1μ" SELECTIVE GOLD
9	30μ" SELECTIVE GOLD
A	15μ" SELECTIVE GOLD
B	5μ" SELECTIVE GOLD

A1	ORDERING INFORMATION ADDED	SOUMYA	17.12.2022		
A	ORIGINAL	RAMYA	25.09.2018		
REV.	DESCRIPTION	DRN. BY	DATE	CK'ED BY	APP'D BY

Projection: 	Scale: NTS	Sht. Size: A4	Gen. Tol.: ±0.5mm ±2'	ALL DIMENSIONS ARE IN MM. IF UNLESS OTHERWISE SPECIFIED.
-----------------	------------	---------------	--------------------------	---

<http://www.protectron.in>  
protectron@protectron.in