



**DESCRIPTION :** USB 3.0 A TYPE, HORIZONTAL MOUNT

**PART NO:** P7071A-09-X

RoHS



### PHYSICAL

#### INSULATION

MATERIAL : THERMOPLASTIC  
FLAMMABILITY : UL94V-0  
COLOR : BLUE

#### CONTACT

MATERIAL : COPPER ALLOY, SELECTIVE GOLD PLATING  
SHELL : COPPER ALLOY, NICKEL PLATING  
PLATING : REFER TABLE

### ELECTRICAL DATA

CURRENT RATING : 1.5A  
VOLTAGE RATING : 500V AC/DC  
INSULATION RESISTANCE : 100M  $\Omega$  MAX  
CONTACT RESISTANCE : 30m  $\Omega$  MAX

### MECHANICAL DATA

MATING FORCE : 3.57Kgf MAX  
UNMATING FORCE : 1.02Kgf MIN

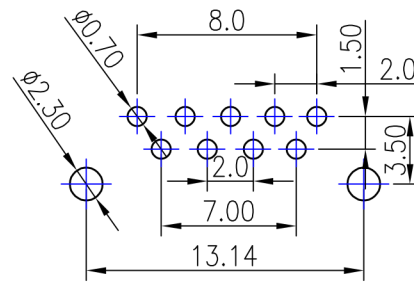
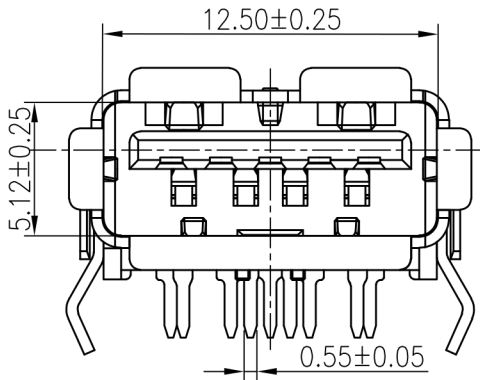
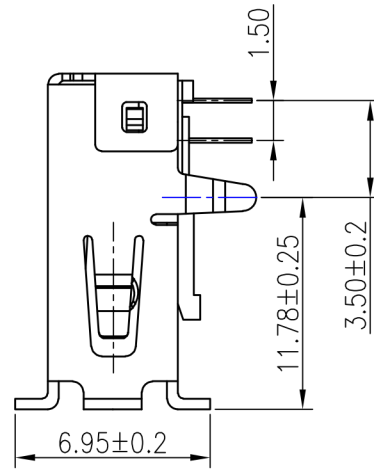
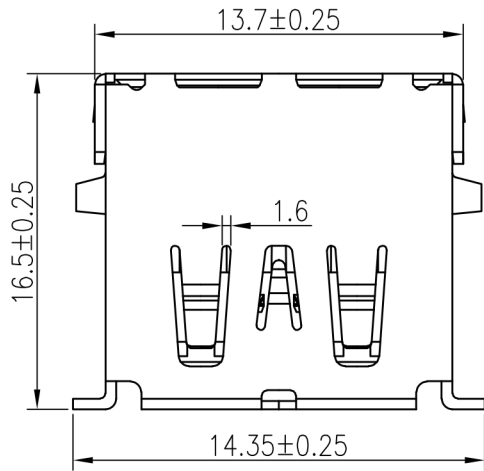
### ENVIRONMENT DATA

TEMPERATURE RANGE : -55°C TO +105°C



**DESCRIPTION :** USB 3.0 A TYPE, HORIZONTAL MOUNT

**PART NO:** P7071A-09-X



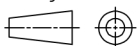
RECOMMENDED P.C.B LAYOUT

**ORDERING INFORMATION**

**P7071A-09-X**

5	1μ" SELECTIVE GOLD
9	30μ" SELECTIVE GOLD
A	15μ" SELECTIVE GOLD
B	5μ" SELECTIVE GOLD

Projection:



Scale: NTS

Sht. Size: A4

Gen. Tol.: ±0.5mm  
±2'

ALL DIMENSIONS ARE IN MM.  
IF UNLESS OTHERWISE SPECIFIED.