

TECHNICAL DATA

P PROTECTRON ELECTROMECH (P) LTD.
 # D-11 & 12, 1st FLOOR, BRIGADE MM, NEW K.R. ROAD
 BANGALORE - 560 082, KARNATAKA, INDIA.

PART No.: P7070MA04-5

PAGE
1 OF 1

DESCRIPTION: USB A TYPE CONNECTOR, RIGHT ANGLE, SMT, 4P4C, RoHS

MATERIAL:

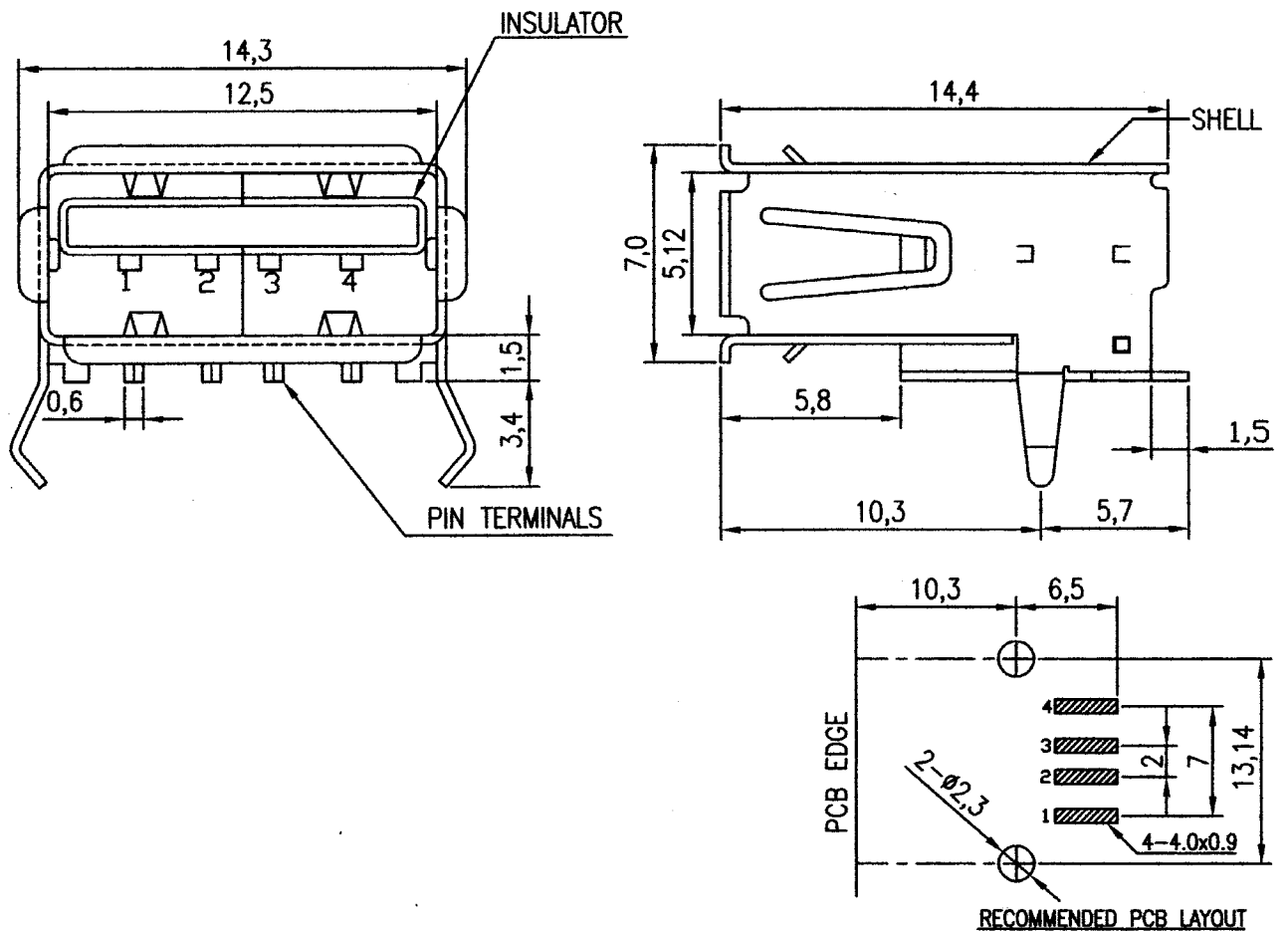
PIN TERMINAL : PHOSPHOR BRONZE, SELECTIVE GOLD PLATED
 (GOLD ON MATING SIDE & TIN ON SOLDERING SIDE)
 INSULATOR : NYLON PA9T G.F
 SHELL : BRASS, NICKEL PLATED

ELECTRICAL DATA:

CONTACT CURRENT RATING : 1 Amp
 DIELECTRIC WITHSTAND VOLTAGE : AC 750V r.m.s
 INSULATION RESISTANCE : 1000 MEGAOHMS MIN.
 CONTACT RESISTANCE : 30 MILLIOHMS MAX.

ENVIRONMENTAL DATA:

OPERATING TEMP. RANGE : -40°C TO +60°C



GENERAL TOLERANCE ±0.20
 ALL DIMENSIONS ARE IN MM.

A	ORIGINAL	CHAITRA	29.09.2007	<i>[Signature]</i>	<i>[Signature]</i>
REV.	DESCRIPTION	DRN BY	DATE	CK'ED BY	APP'D BY