



PROTECTRON ELECTROMECH (P) LTD

DESCRIPTION : USB A TYPE CONNECTOR 4 TERMINAL
RIGHT ANGLE.

PART NO: P7070AV04-5



PHYSICAL DATA

MATERIAL DATA:

HOUSING	:	PBT, UL94V-0
SHELL	:	COPPER ALLOY, TIN PLATED
TERMINAL	:	COPPER ALLOY, SELECTIVE GOLD PLATED (GOLD ON MATING SIDE & TIN ON SOLDERING SIDE)

ELECTRICAL DATA

RATED CURRENT	:	2.5A
WITHSTANDING VOLTAGE	:	750V FOR 1 MIN.
CONTACT RESISTANCE	:	30mΩ MAX.
INSULATION RESIATANCE	:	1000mΩ MIN. At 500VDC.

ENVIRONMENTAL DATA

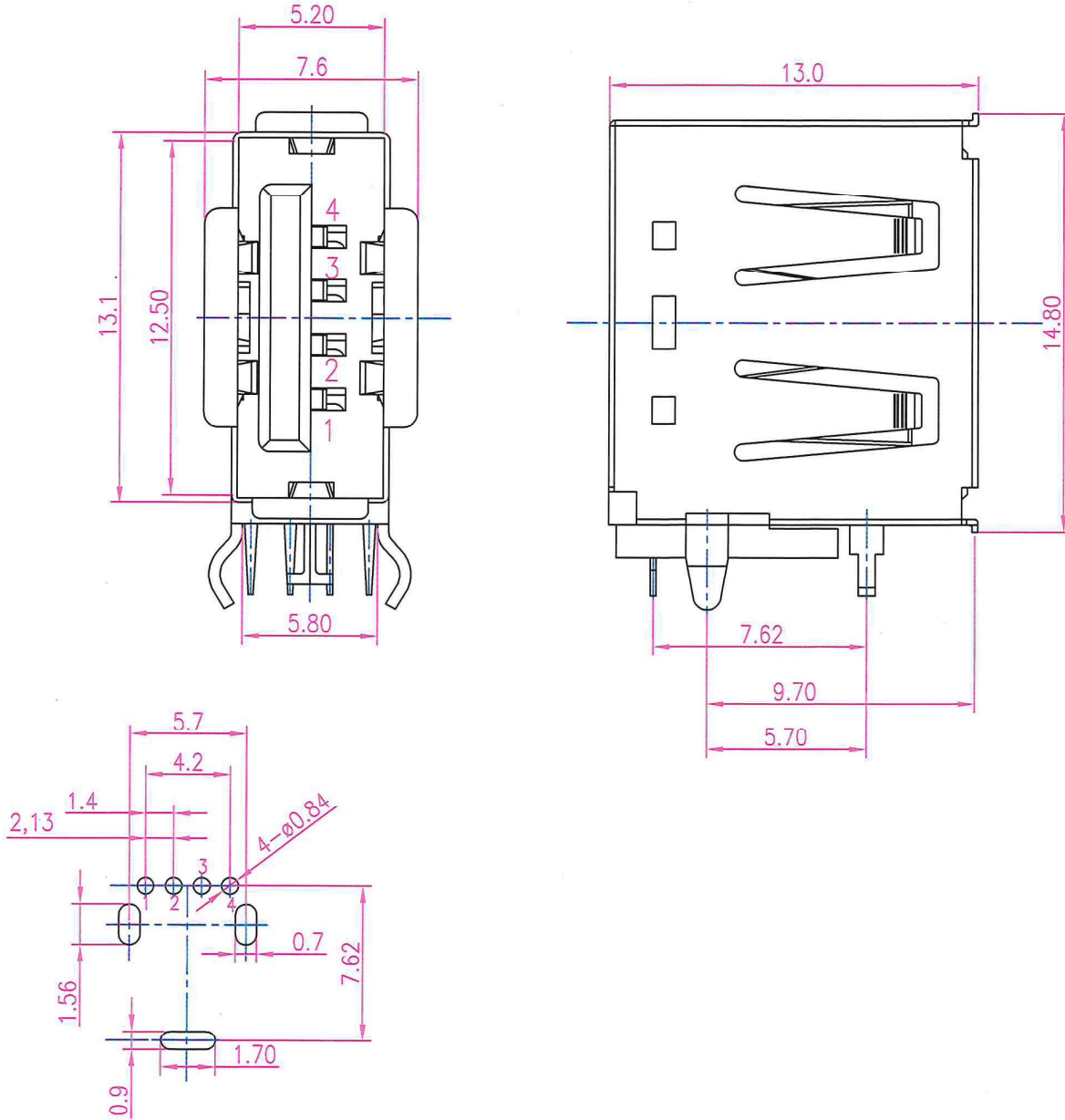
TEMPERATURE RANGE	:	-40°C TO +105°C
-------------------	---	-----------------



PROTECTRON ELECTROMECH (P) LTD

DESCRIPTION : USB A TYPE CONNECTOR 4 TERMINAL
RIGHT ANGLE.

PART NO: P7070AV04-5



RECOMMENDED PCB LAYOUT
TOLERANCE: ±0.05mm

A1	CURRENT RATING UPDATED TO 2.5A	THANUJA	24.01.2022	
A	ORIGINAL	VISHWA.P	11.02.2014	
REV.	DESCRIPTION	DRN. BY	DATE	CK'ED BY

Projection: 	Scale: NTS	Sht. Size: A4	Gen. Tol.: ±0.35mm ±2°	ALL DIMENSIONS ARE IN MM. IF UNLESS OTHERWISE SPECIFIED.
-----------------	------------	---------------	---------------------------	---