

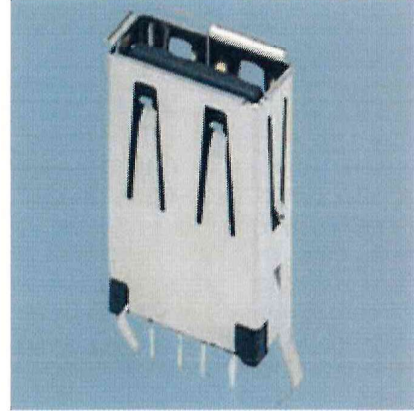


PROTECTRON ELECTROMECH (P) LTD

DESCRIPTION : USB A TYPE CONNECTOR, VERTICAL MOUNT, TOP ENTRY, STRAIGHT, 4P4C

PART NO:P7070AS04-5

RoHS



PHYSICAL DATA

INSULATOR	:	PBT, UL94V-0, WHITE COLOUR
PIN MATERIAL	:	BRASS, SELECTIVE GOLD PLATED (GOLD ON MATING SIDE & TIN ON SOLDERING SIDE)
SHELL	:	SPCC
PACKAGING TYPE	:	BULK PACKING

ELECTRICAL DATA

INSULATION RESISTANCE	:	1000M OHMS MIN
DIELECTRIC WITHSTANDING	:	AC 750Vrms
CURRENT RATING	:	1.5A
CONTACT RESISTANCE	:	30m OHMS MAX

ENVIRONMENTAL DATA

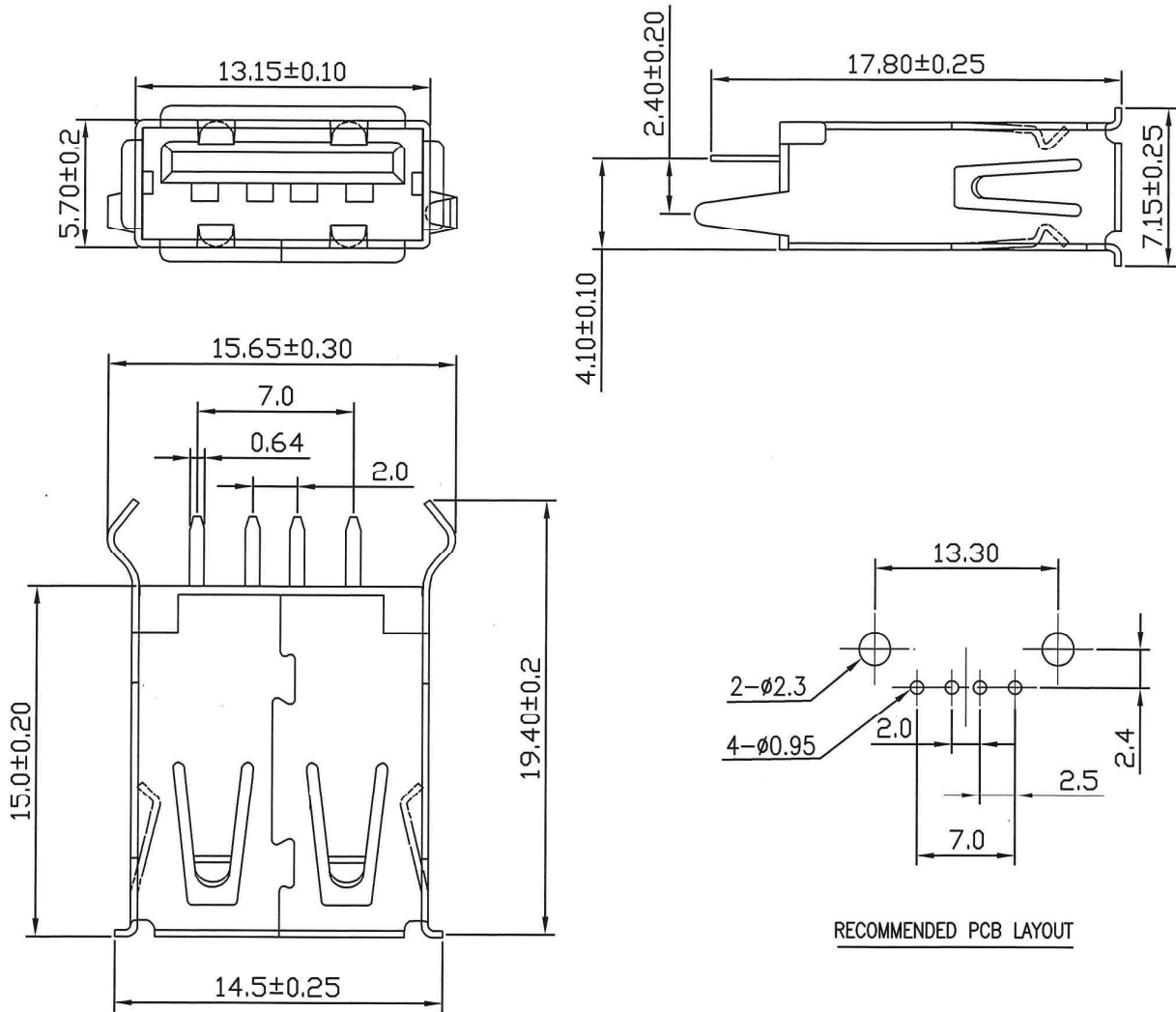
TEMPERATURE RANGE	:	-40° TO +80° C
-------------------	---	----------------



PROTECTRON ELECTROMECH (P) LTD

DESCRIPTION : USB A TYPE CONNECTOR, VERTICAL MOUNT, TOP ENTRY, STRAIGHT, 4P4C

PART NO: P7070AS04-5



A3	DATASHEET UPDATED WITH REQUIRED DIMENSIONS	SWATHI H	12.01.2022		
A2	UPDATED INSULATOR COLOUR	SUPREETA	10.04.2017		
A1	MATERIAL DETAILS HAS BEEN UPDATED	VENILA	11.02.2015	SACHIN	V.RAMANI
A	ORIGINAL	ANIL	12.01.2008		
REV.	DESCRIPTION	BY	DATE	CK'ED BY	APP'D BY

Projection: 	Scale: NTS	Sht. Size: A4	Gen. Tol.: ± 0.5 mm	ALL DIMENSIONS ARE IN MM. IF UNLESS OTHERWISE SPECIFIED.
-----------------	------------	---------------	-------------------------	---