



**DESCRIPTION** : USB A TYPE CONNECTOR, 4 TERMINAL,  
RIGHT ANGLE, OPEN TYPE

**PART NO:**P7070A-04-F-0-WF

RoHS



## PHYSICAL DATA

INSULATOR	:	LCP, UL94V-0, BLACK/WHITE COLOR
PIN TERMINAL	:	COPPER ALLOY, SELECTIVE GOLD PLATING
SHELL	:	COPPER ALLOY, NICKEL PLATED
PACKAGING TYPE	:	STANDARD

## ELECTRICAL DATA

INSULATION RESISTANCE	:	1000M OHMS MIN
DIELECTRIC WITHSTANDING	:	500V AC
CONTACT RESISTANCE	:	30m OHMS MAX
CURRENT RATING	:	CAN WITHSTAND 2A
VOLTAGE RATING	:	30V DC

## MECHANICAL DATA

MATING FORCE	:	3.75Kgf Max
UN MATING FORCE	:	1.02Kgf Min
MECHANICAL LIFE	:	10000 CYCLES MIN

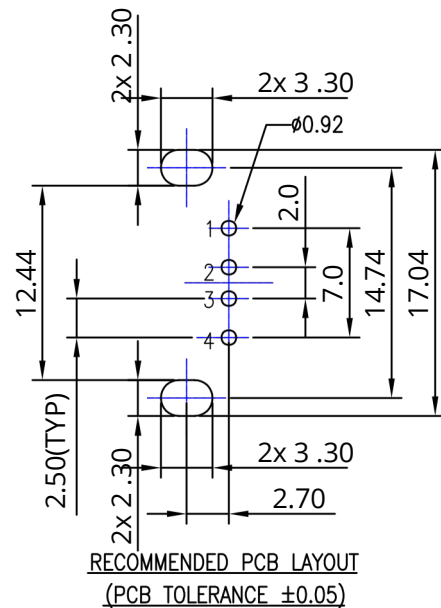
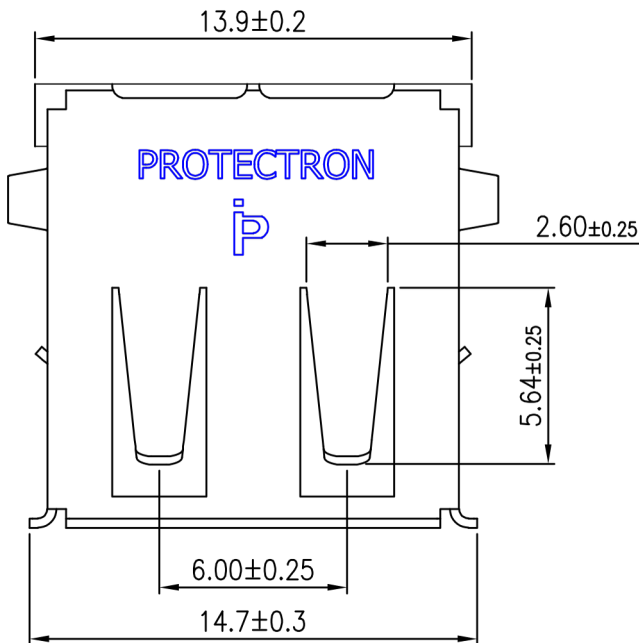
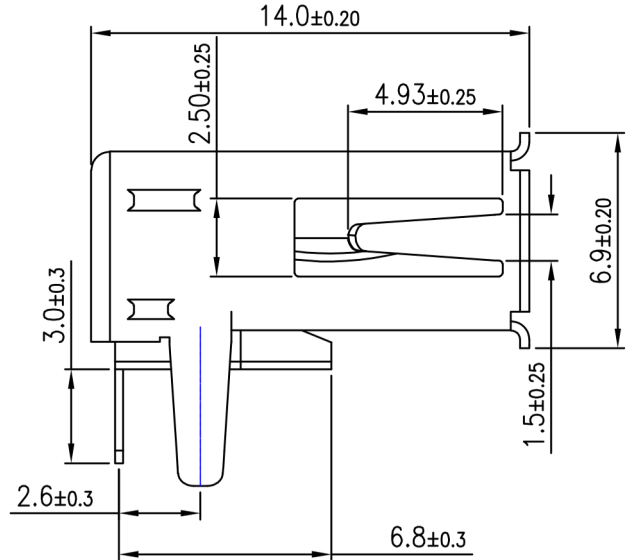
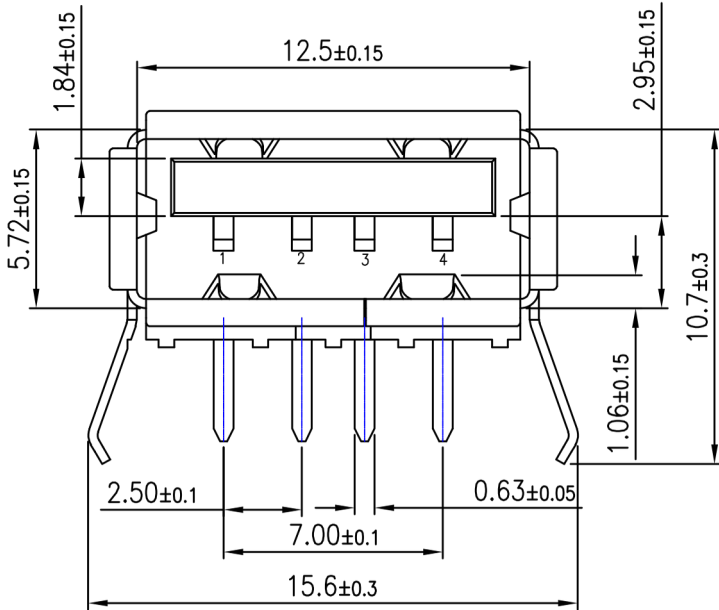
## ENVIRONMENTAL DATA

OPERATING TEMPERATURE	:	-30°C to +85°C
-----------------------	---	----------------



**DESCRIPTION** : USB A TYPE CONNECTOR, 4 TERMINAL,  
RIGHT ANGLE, OPEN TYPE

**PART NO:**P7070A-04-F-0-WF



Scale: NTS

Sht. Size: A4

Gen. Tol.: ±0.35mm

ALL DIMENSIONS ARE IN MM.  
IF UNLESS OTHERWISE SPECIFIED.