

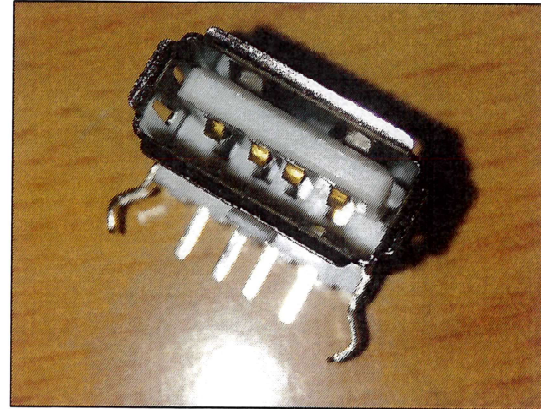


PROTECTRON ELECTROMECH (P) LTD

DESCRIPTION : USB A TYPE CONNECTOR 4 TERMINAL, RIGHT ANGLE

PART NO: P7070A-04-9

RoHS



PHYSICAL DATA

INSULATOR	:	LCP, UL 94V-0, BEIGE COLOR
PIN TERMINAL	:	COPPER ALLOY, 30 μ " GOLD PLATING ON MATING SIDE AND TIN ON SOLDERING SIDE
SHELL	:	COPPER ALLOY, NICKEL PLATED
PACKAGING TYPE	:	STANDARD

ELECTRICAL DATA

INSULATION RESISTANCE	:	1000M OHMS MIN
DIELECTRIC WITHSTANDING	:	500V AC
CONTACT RESISTANCE	:	30m OHMS MAX
CURRENT RATING	:	CAN WITHSTAND 2A
VOLTAGE RATING	:	30V DC

MECHANICAL DATA

MATING FORCE	:	3.75Kgf Max
UN MATING FORCE	:	1.02Kgf Min
MATING CYCLES	:	10000 cycles

ENVIRONMENTAL DATA

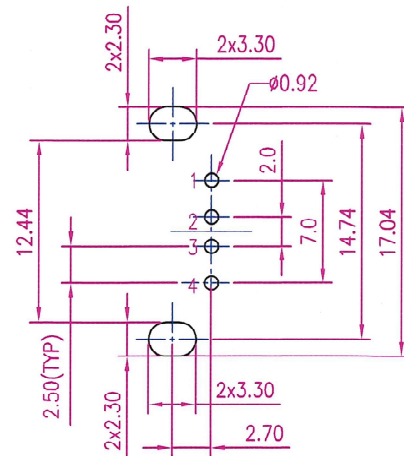
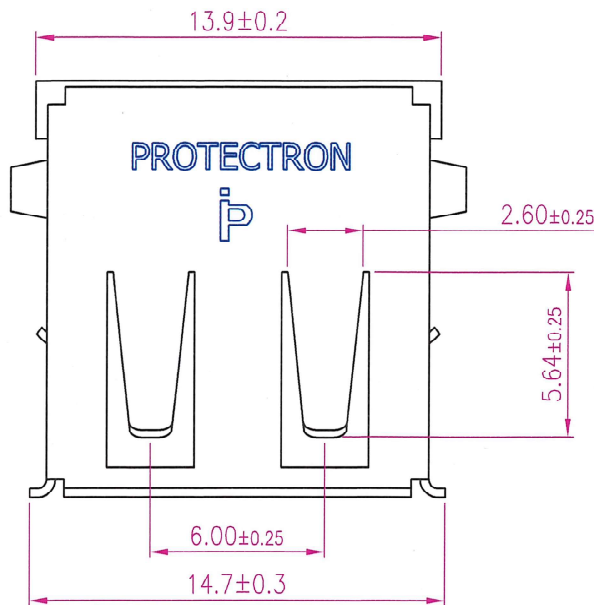
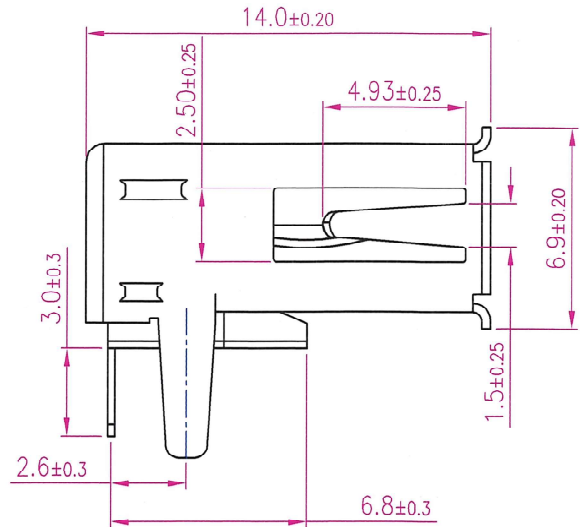
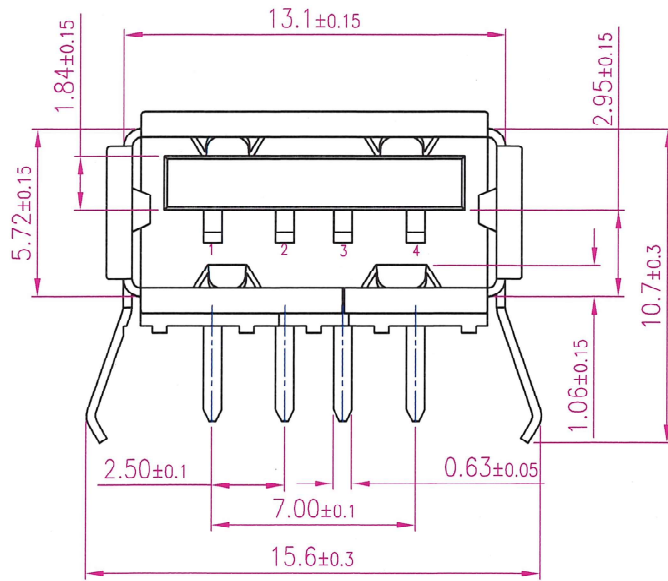
OPERATING TEMPERATURE	:	-30°C to + 85°C
-----------------------	---	-----------------



PROTECTRON ELECTROMECH (P) LTD

DESCRIPTION : USB A TYPE CONNECTOR 4 TERMINAL, RIGHT ANGLE

PART NO: P7070A-04-9



RECOMMENDED PCB LAYOUT
(PCB TOLERANCE ± 0.05)

NOTE: MATING CONNECTOR SHOULD ALSO HAVE 30μ " GOLD PLATING

A2	PCB REVISED AND DATASHEET UPDATED	RAMYA	30.01.2019	<i>[Signature]</i>
A1	DATASHEET UPDATED	NARENDRA	06.09.2017	
A	ORIGINAL	SUMITH	08.09.2015	
REV.	DESCRIPTION	BY	DATE	CK'ED BY APP'D BY



Scale: NTS

Sht. Size: A4

Gen. Tol.: ± 0.4 mm

ALL DIMENSIONS ARE IN MM.
IF UNLESS OTHERWISE SPECIFIED.

<http://www.protectron.in>
protectron@protectron.in