



DESCRIPTION : USB A TYPE CONNECTOR, 4 TERMINAL,
RIGHT ANGLE, OPEN TYPE

PART NO: P7070A-04-9-0

RoHS



PHYSICAL DATA

INSULATOR	:	PBT, UL94V-0, BLACK/WHITE COLOR
PIN TERMINAL	:	COPPER ALLOY, SELECTIVE GOLD PLATING
SHELL	:	COPPER ALLOY, NICKEL PLATED
PACKAGING TYPE	:	STANDARD

ELECTRICAL DATA

INSULATION RESISTANCE	:	1000M OHMS MIN
DIELECTRIC WITHSTANDING	:	500V AC
CONTACT RESISTANCE	:	30m OHMS MAX
CURRENT RATING	:	CAN WITHSTAND 2A
VOLTAGE RATING	:	30V DC

MECHANICAL DATA

MATING FORCE	:	3.75Kgf Max
UN MATING FORCE	:	1.02Kgf Min
MECHANICAL LIFE	:	10000 CYCLES MIN

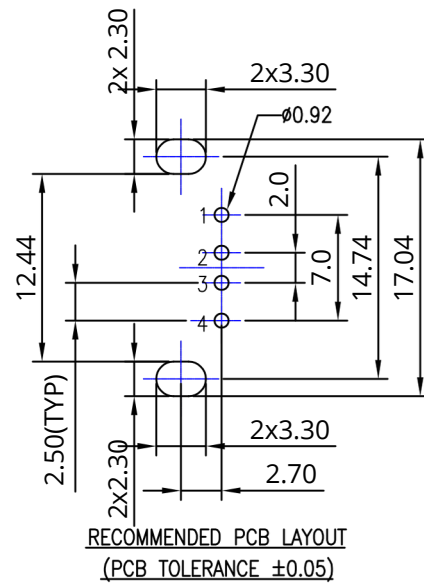
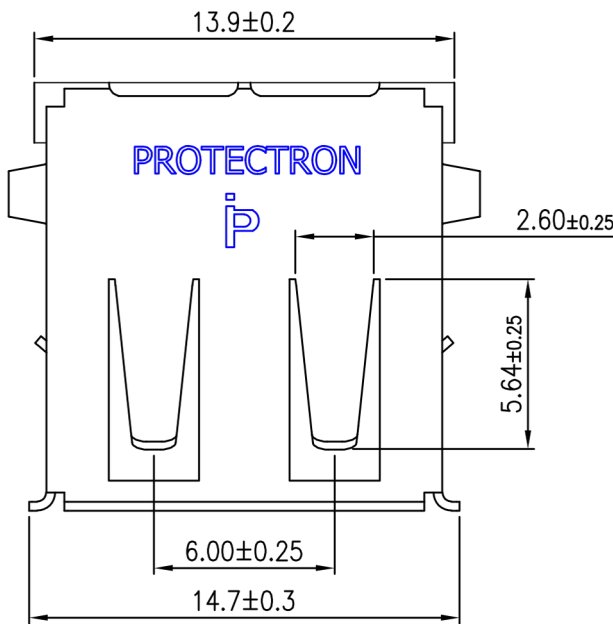
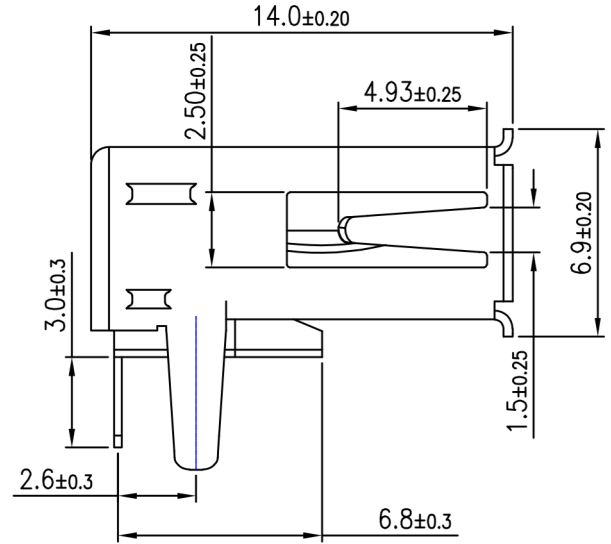
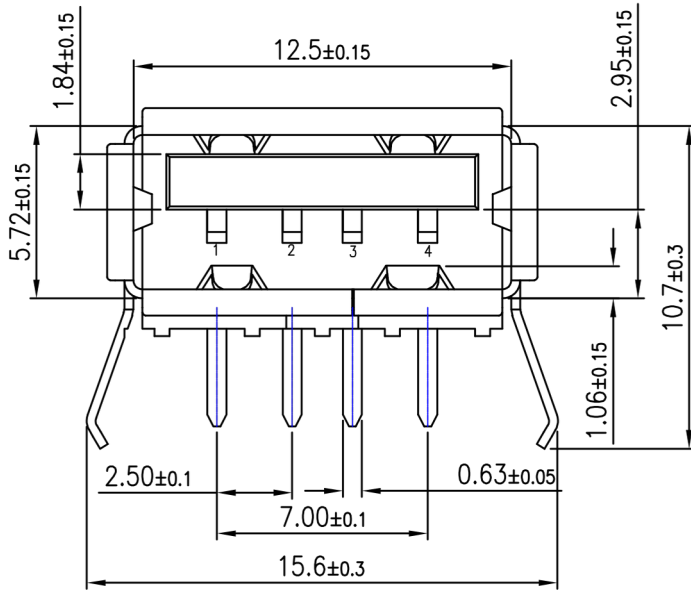
ENVIRONMENTAL DATA

OPERATING TEMPERATURE	:	-55°C to +80°C
-----------------------	---	----------------

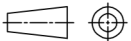


DESCRIPTION : USB A TYPE CONNECTOR, 4 TERMINAL,
RIGHT ANGLE, OPEN TYPE

PART NO: P7070A-04-9-0



Projection:



Scale: NTS

Sht. Size: A4

Gen. Tol.: ±0.35mm

ALL DIMENSIONS ARE IN MM.
IF UNLESS OTHERWISE SPECIFIED.