



DESCRIPTION : USB A TYPE CONNECTOR 4 TERMINAL, RIGHT ANGLE

PART NO: P7070A-04-9

RoHS



PHYSICAL DATA

INSULATOR : THERMOPLASTIC, UL 94V-0, BLACK/WHITE COLOR
PIN TERMINAL : COPPER ALLOY, 30 μ " GOLD PLATING ON MATING SIDE AND TIN ON SOLDERING SIDE
SHELL : COPPER ALLOY, NICKEL PLATED
PACKAGING TYPE : TRAY

ELECTRICAL DATA

INSULATION RESISTANCE : 1000M OHMS MIN
DIELECTRIC WITHSTANDING : 500V AC
CONTACT RESISTANCE : 30m OHMS MAX
CURRENT RATING : CAN WITHSTAND 2A
VOLTAGE RATING : 30V DC

MECHANICAL DATA

MATING FORCE : 3.75Kgf Max
UN MATING FORCE : 1.02Kgf Min
MATING CYCLES : 10000 cycles

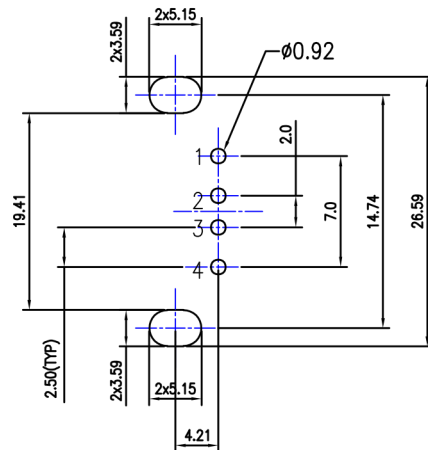
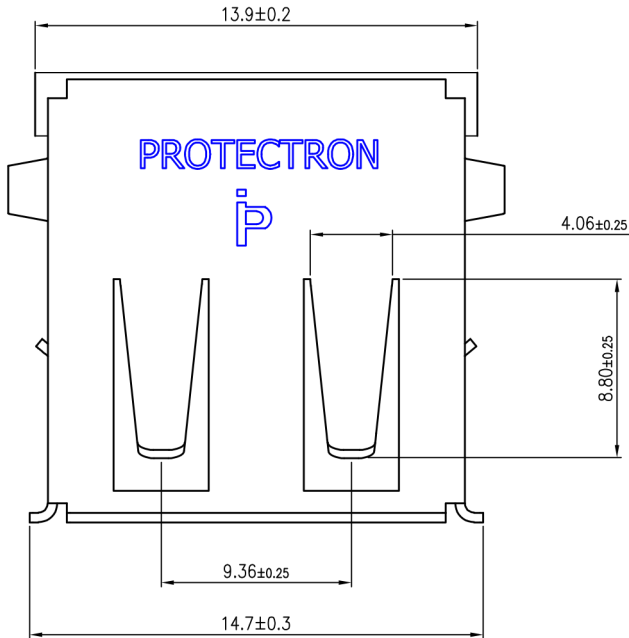
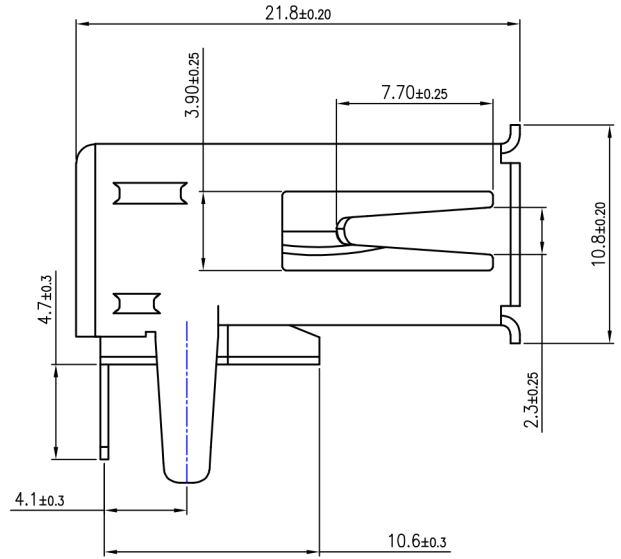
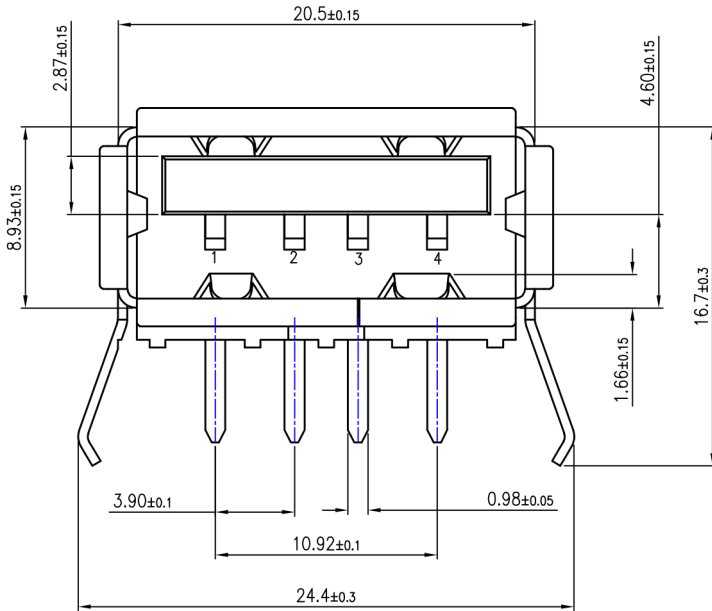
ENVIRONMENTAL DATA

OPERATING TEMPERATURE : -30°C to + 85°C



DESCRIPTION : USB A TYPE CONNECTOR 4 TERMINAL, RIGHT ANGLE

PART NO: P7070A-04-9



RECOMMENDED PCB LAYOUT
(PCB TOLERANCE ±0.05)

NOTE: MATING CONNECTOR SHOULD ALSO HAVE 30µ" GOLD PLATING

Projection:



Scale: NTS

Sht. Size: A4

Gen. Tol.: ±0.4mm

ALL DIMENSIONS ARE IN MM.
IF UNLESS OTHERWISE SPECIFIED.