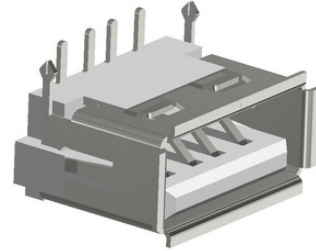


DESCRIPTION : USB A TYPE CONNECTOR, HORIZONTAL MOUNT
R/A, 4P4C, SHORTER LENGTH

PART NO: P7070A-04-5-SL

RoHS



PHYSICAL DATA

INSULATOR	:	THERMOPLASTIC, UL94V-0, BLACK/WHITE COLOR
PIN TERMINAL	:	COPPER ALLOY, HIGH GOLD ON MATING SIDE AND TIN ON SOLDERING SIDE
SHELL	:	COPPER ALLOY, NICKEL PLATED
PACKAGING TYPE	:	STANDARD

ELECTRICAL DATA

INSULATION RESISTANCE	:	1000M OHMS MIN
DIELECTRIC WITHSTANDING	:	500V AC FOR 1MINUTE
CONTACT RESISTANCE	:	50m OHMS MAX
CURRENT RATING	:	2A
VOLTAGE RATING	:	30V DC

MECHANICAL DATA

DURABILITY	:	10,000 CYCLES
MATING FORCE	:	3.75Kgf MAX
UN MATING FORCE	:	1.02Kgf MIN

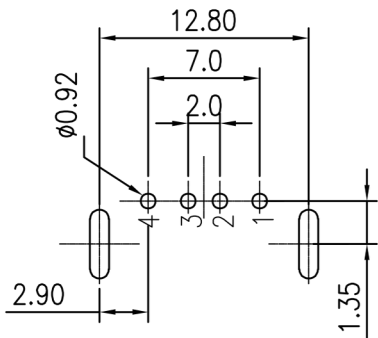
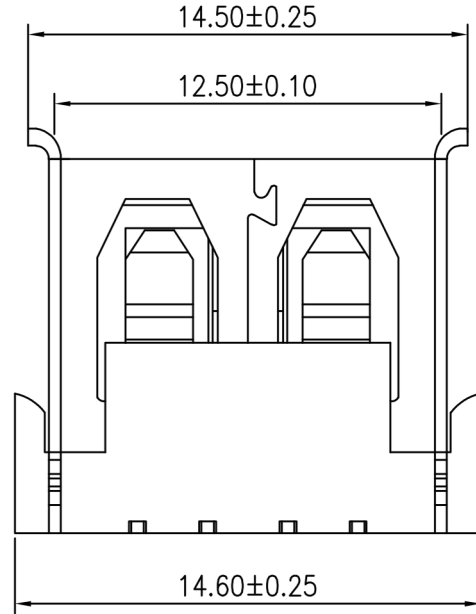
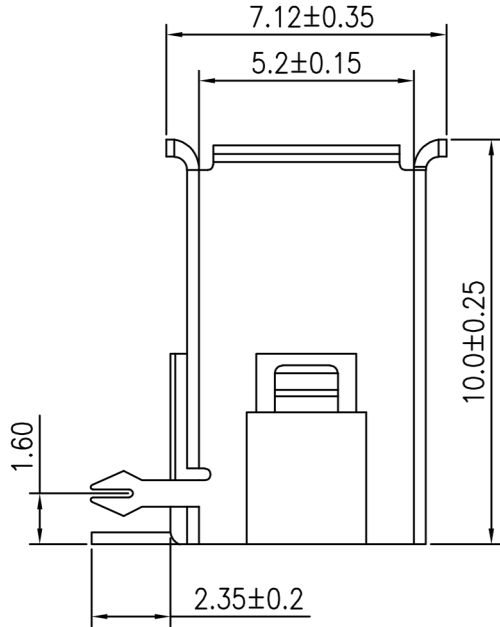
ENVIRONMENTAL DATA

OPERATING TEMPERATURE	:	-40°C to +80°C
-----------------------	---	----------------

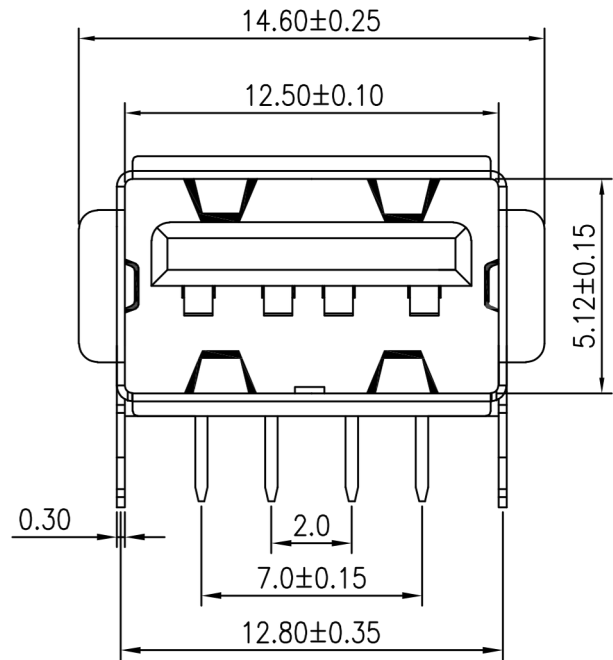


DESCRIPTION : USB A TYPE CONNECTOR, HORIZONTAL MOUNT
R/A, 4P4C, SHORTER LENGTH

PART NO: P7070A-04-5-SL



RECOMMENDED PCB LAYOUT
(TOLERANCE ±0.05)



Projection:



Scale: NTS

Sht. Size: A4

Gen. Tol.: ±0.4mm

ALL DIMENSIONS ARE IN MM.
IF UNLESS OTHERWISE SPECIFIED.