

PROTECTRON ELECTROMECH (P) LTD

DESCRIPTION : USB A TYPE CONNECTOR, 4 TERMINAL,
RIGHT ANGLE

PART NO: P7070A-04-5

RoHS



PHYSICAL DATA

INSULATOR	:	PBT, UL 94V-0, BLACK/WHITE COLOR
PIN TERMINAL	:	COPPER ALLOY, SELECTIVE GOLD PLATING
SHELL	:	COPPER ALLOY, NICKEL PLATED
PACKAGING TYPE	:	STANDARD

ELECTRICAL DATA

INSULATION RESISTANCE	:	1000M OHMS MIN
DIELECTRIC WITHSTANDING	:	500V AC
CONTACT RESISTANCE	:	30m OHMS MAX
CURRENT RATING	:	CAN WITHSTAND 2A
VOLTAGE RATING	:	30V DC

MECHANICAL DATA

MATING FORCE	:	3.75Kgf Max
UN MATING FORCE	:	1.02Kgf Min
MECHANICAL LIFE	:	5000 CYCLES MIN

ENVIRONMENTAL DATA

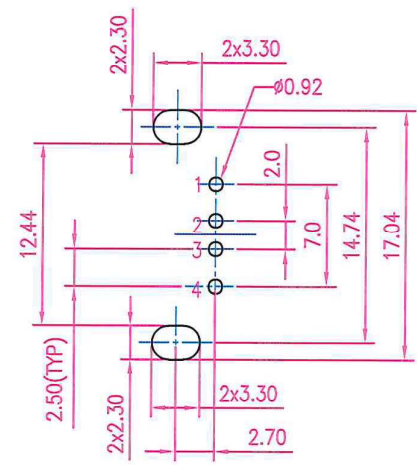
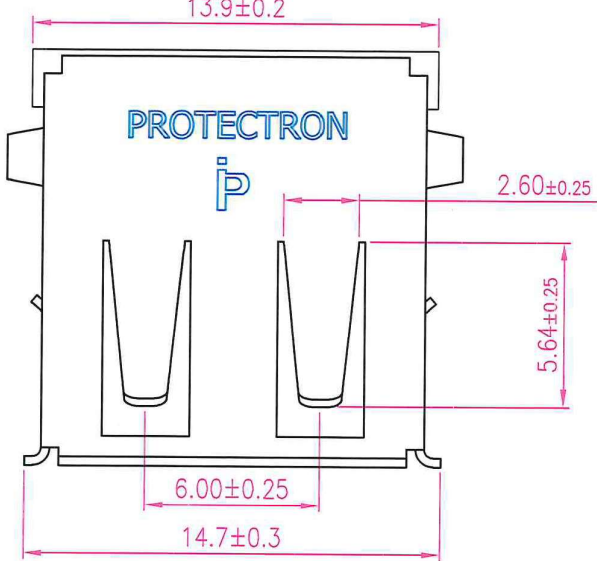
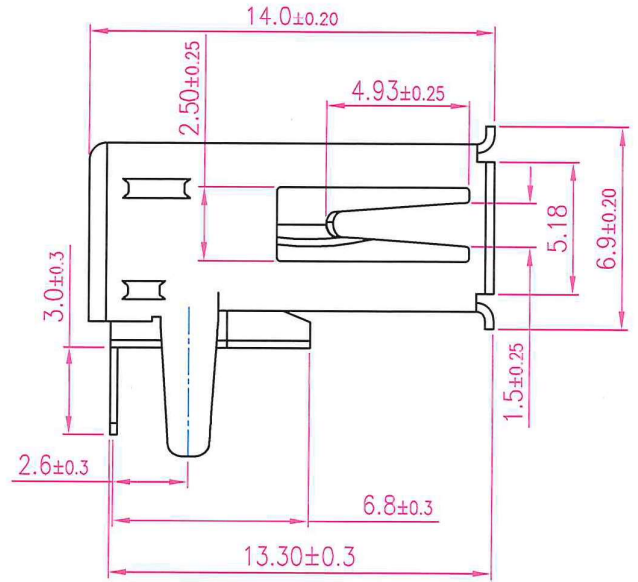
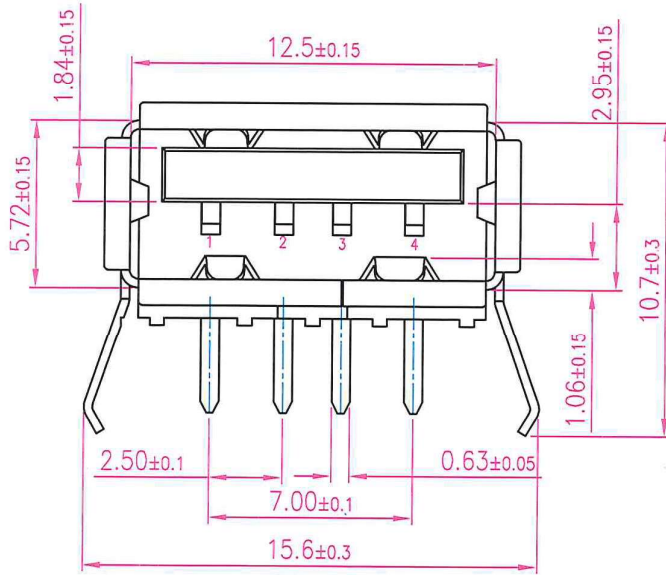
OPERATING TEMPERATURE	:	-55°C to +80°C
-----------------------	---	----------------



PROTECTRON ELECTROMECH (P) LTD

DESCRIPTION : USB A TYPE CONNECTOR, 4 TERMINAL,
RIGHT ANGLE

PART NO: P7070A-04-5



RECOMMENDED PCB LAYOUT
(PCB TOLERANCE ±0.05)

A7	AS PER CUSTOMER REQUIREMENT DIMENSIONS 13.3 & 5.18 ADDED	PRIYA S.	18.08.2023		
A6	MATING CYCLES ADDED, SECTION X-X DELETED	THANUJA	06.11.2020		
A5	SECTION X-X ADDED	AKSHAY	03.07.2020		
A4	DATASHEET REVISED	RAMYA	26.04.2019		
A3	CONTACT MATERIAL DETAILS UPDATED	VENILA	11.08.2015		
A2	CONTACT MATERIAL OPTION ADDED IN THE PART NO.	VENILA	19.02.2015		
A1	PART NO. CHANGED FROM P7070A-04-1 TO P7070A-04-5	SANDHYA	31.07.2006		
A	ORIGINAL	ARUN	16.02.2005		

REV.	DESCRIPTION	BY	DATE	CK'ED BY	APP'D BY
------	-------------	----	------	----------	----------

Projection: 	Scale: NTS	Sht. Size: A4	Gen. Tol.: ±0.35mm	ALL DIMENSIONS ARE IN MM. IF UNLESS OTHERWISE SPECIFIED.
-----------------	------------	---------------	--------------------	---

<http://www.protectron.in>
protectron@protectron.in