

DESCRIPTION : USB A TYPE CONNECTOR, 4 TERMINAL,
RIGHT ANGLE

PART NO: P7070A-04-5

RoHS



PHYSICAL DATA

INSULATOR	:	PBT, UL 94V-0, BLACK/WHITE COLOR
PIN TERMINAL	:	COPPER ALLOY, SELECTIVE GOLD PLATING
SHELL	:	COPPER ALLOY, NICKEL PLATED
PACKAGING TYPE	:	STANDARD

ELECTRICAL DATA

INSULATION RESISTANCE	:	1000M OHMS MIN
DIELECTRIC WITHSTANDING	:	500V AC
CONTACT RESISTANCE	:	30m OHMS MAX
CURRENT RATING	:	CAN WITHSTAND 2A
VOLTAGE RATING	:	30V DC

MECHANICAL DATA

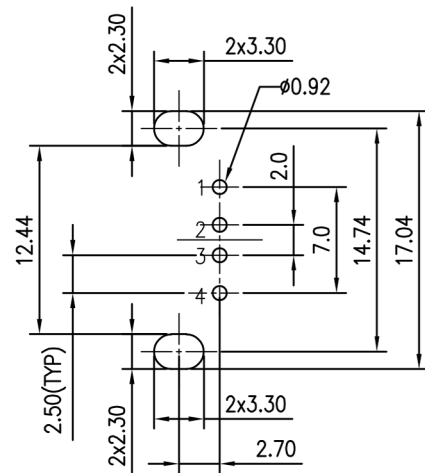
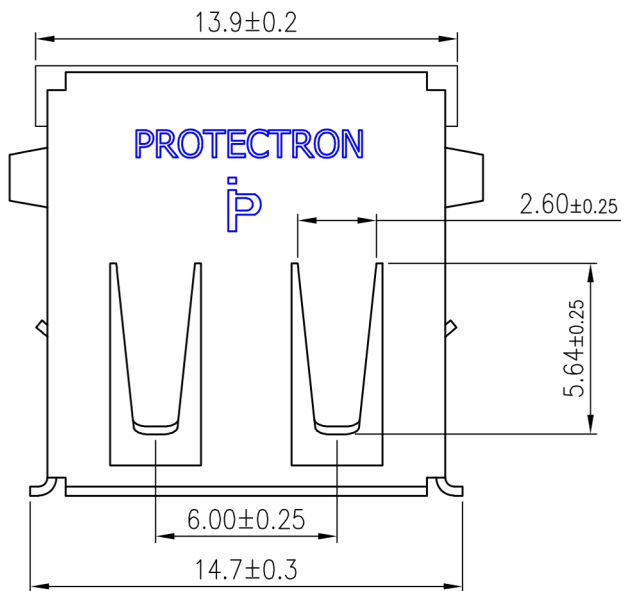
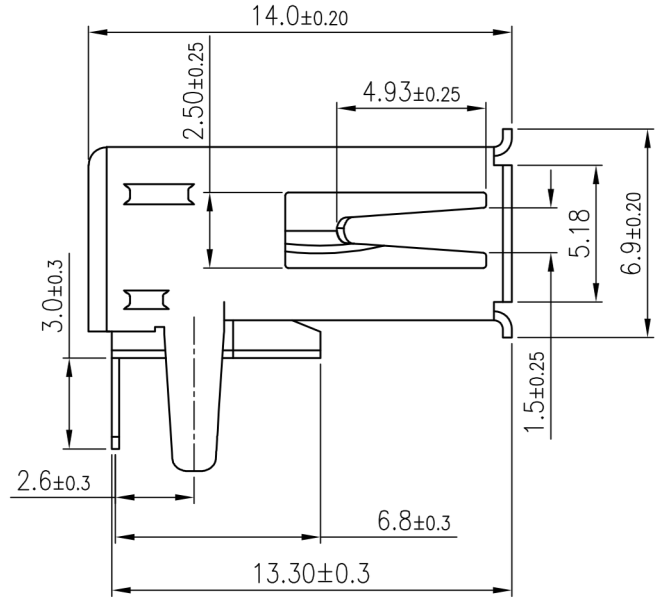
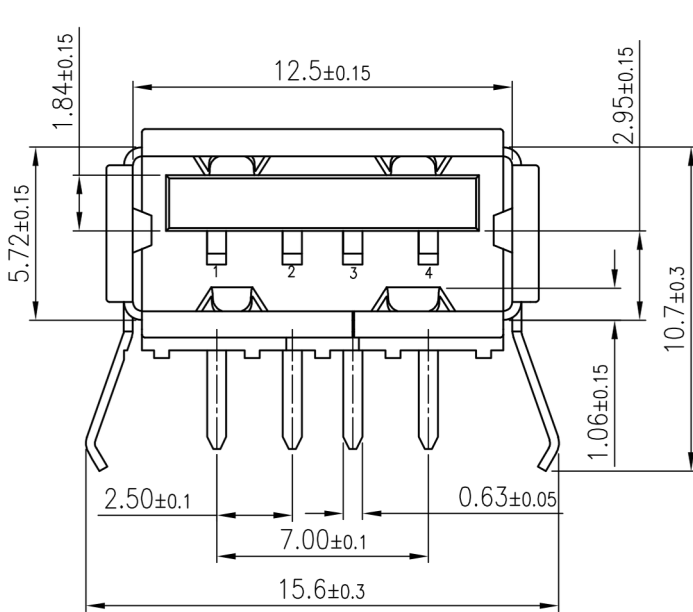
MATING FORCE	:	3.75Kgf Max
UN MATING FORCE	:	1.02Kgf Min
MECHANICAL LIFE	:	5000 CYCLES MIN

ENVIRONMENTAL DATA

OPERATING TEMPERATURE	:	-55°C to +80°C
-----------------------	---	----------------

DESCRIPTION : USB A TYPE CONNECTOR, 4 TERMINAL,
RIGHT ANGLE

PART NO: P7070A-04-5



RECOMMENDED PCB LAYOUT
(PCB TOLERANCE ± 0.05)

Projection:


Scale: NTS

Sht. Size: A4

Gen. Tol.: ± 0.35 mm

ALL DIMENSIONS ARE IN MM.
IF UNLESS OTHERWISE SPECIFIED.