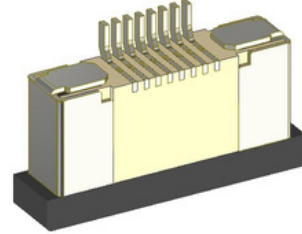




DESCRIPTION: FPC 0.5mm PITCH CONNECTORS HORIZONTAL TYPE, BOTTOM CONTACT **PART NO:** P7065B21-24XX-X

RoHS



PHYSICAL DATA

INSULATION

MATERIAL	:	LCP
FLAMMABILITY	:	UL94V-0
CRIMP TERMINAL	:	COPPER ALLOY, TIN PLATED
PACKAGING TYPE	:	TUBE/REEL PACKING

ELECTRICAL DATA

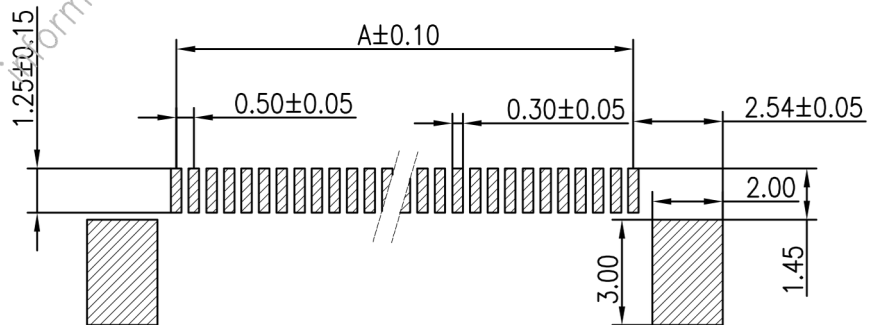
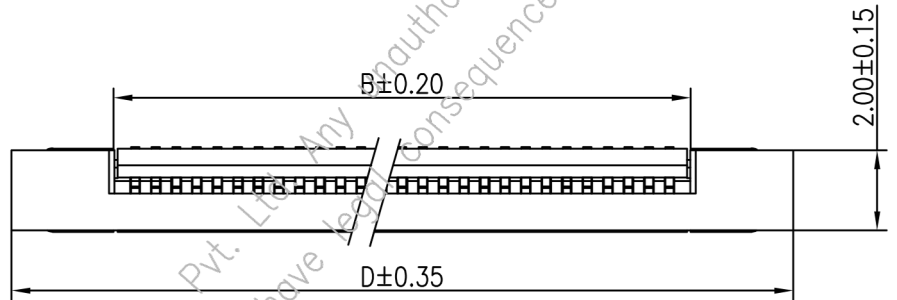
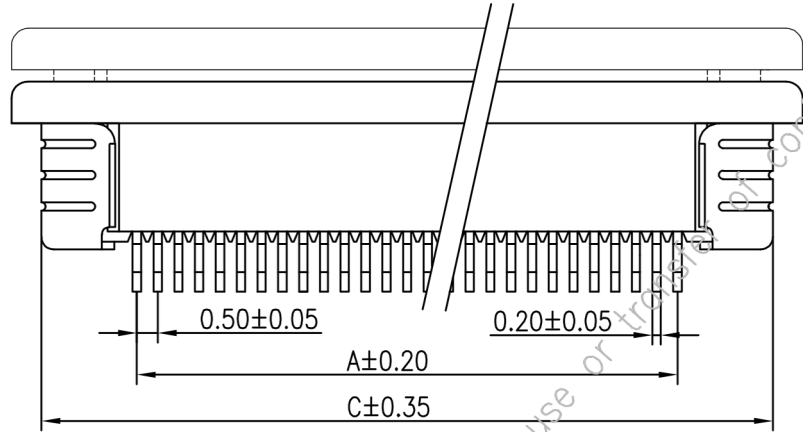
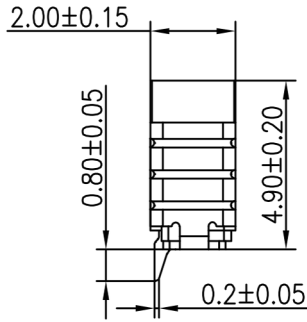
CURRENT RATING	:	0.4A
VOLTAGE RATING	:	50V
INSULATION RESISTANCE	:	500M OHMS MIN
DIE ELECTRIC WITHSTAND	:	200V AC/MIN
CONTACT RESISTANCE	:	40m OHMS MAX

ENVIRONMENTAL DATA

TEMPERATURE RANGE	:	-20°C TO +85° C
-------------------	---	-----------------



DESCRIPTION: FPC 0.5mm PITCH CONNECTORS HORIZONTAL TYPE, BOTTOM CONTACT **PART NO:** P7065B21-24XX-X

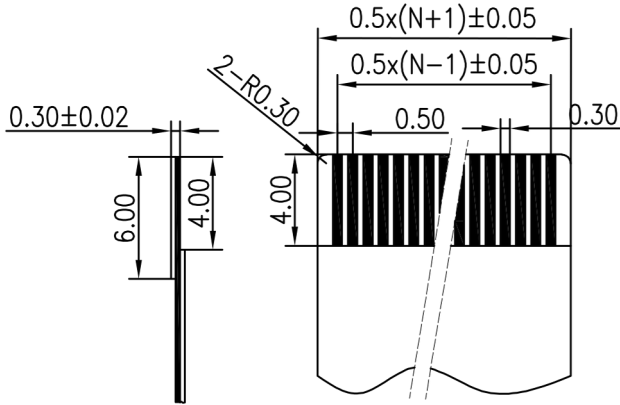


RECOMMENDED PCB LAYOUT



DESCRIPTION: FPC 0.5mm PITCH CONNECTORS HORIZONTAL TYPE, BOTTOM CONTACT

PART NO: P7065B21-24XX-X



RECOMMENDED FFC/FPC DIM.

PIN	DIMENSIONS			
	A	B	C	D
4	1.50	2.6	6.35	7.65
5	2.00	3.1	6.85	8.15
6	2.50	3.6	7.35	8.65
7	3.00	4.1	7.85	9.15
8	3.50	4.6	8.35	9.65
9	4.00	5.1	8.85	10.15
10	4.50	5.6	9.35	10.65
11	5.00	6.1	9.85	11.15
12	5.50	6.6	10.35	11.65
13	6.00	7.1	10.85	12.15
14	6.50	7.6	11.35	12.65
15	7.00	8.1	11.85	13.15
16	7.50	8.6	12.35	13.65
17	8.00	9.1	12.85	14.15
18	8.50	9.6	13.35	14.65
19	9.00	10.1	13.85	15.15
20	9.50	10.6	14.35	15.65
21	10.00	11.1	14.85	16.15
22	10.50	11.6	15.35	16.65
23	11.00	12.1	15.85	17.15
24	11.50	12.6	16.35	17.65
25	12.00	13.1	16.85	18.15
26	12.50	13.6	17.35	18.65
27	13.00	14.1	17.85	19.15
28	13.50	14.6	18.35	19.65
29	14.00	15.1	18.85	20.15
30	14.50	15.6	19.35	20.65

PIN	DIMENSIONS			
	A	B	C	D
30	14.50	15.6	19.35	20.65
31	15.00	16.1	19.85	21.15
32	15.50	16.6	20.35	21.65
33	16.00	17.1	20.85	22.15
34	16.50	17.6	21.35	22.65
35	17.00	18.1	21.85	23.15
36	17.50	18.6	22.35	23.65
37	18.00	19.1	22.85	24.15
38	18.50	19.6	23.35	24.65
39	19.00	20.1	23.85	25.15
40	19.50	20.6	24.35	25.65
41	20.0	21.1	24.85	26.15
42	20.5	21.6	25.35	26.65
43	21.0	22.1	25.85	27.15
44	21.5	22.6	26.35	27.65
45	22.0	23.1	26.85	28.15
46	22.5	23.6	27.35	28.65
47	23.0	24.1	27.85	29.15
48	23.5	24.6	28.35	29.65
49	24.0	25.1	28.85	30.15
50	24.5	25.6	29.35	30.65
51	25.0	26.1	29.85	31.15
52	25.5	26.6	30.35	31.65
53	26.0	27.1	30.85	32.15
54	26.5	27.6	31.35	32.65
55	27.0	28.1	31.85	33.15
56	27.5	28.6	32.35	33.65
57	28.0	29.1	32.85	34.15
58	28.5	29.6	33.35	34.65
59	29.0	30.1	33.85	35.15
60	29.5	30.6	34.35	35.65

ORDERING INFORMATION

P7065B21-24XX-X

NO OF CONTACTS
(4-60)

T= TUBE PACKING

R= TAPE & REEL PACKING

Projection:



Scale: NTS

Sht. Size: A4

Gen. Tol.: ±0.5mm
±2'

ALL DIMENSIONS ARE IN MM.
IF UNLESS OTHERWISE SPECIFIED.