



PROTECTRON ELECTROMECH (P) LTD

DESCRIPTION : 1.0mm PTHC FPC CONNECTOR VERTICAL
CONTACT SMT TYPE WITH CAP

PART NO: P7045V2C024XX1RS11A

RoHS



PHYSICAL DATA

INSULATOR BODY : THERMOPLASTIC, UL94V-0
TERMINALS : COPPER ALLOY, TIN PLATED
PACKAGING TYPE : REEL PACKING

ELECTRICAL DATA

CURRENT RATING :
CONTACT RESISTANCE : 20m OHMS MAX
INSULATION RESISTANCE : 500M OHMS MIN
DIELECTRIC WITHSTANDING : 200V AC/MIN

ENVIRONMENTAL DATA

TEMPERATURE RANGE : -25°C TO +85°C

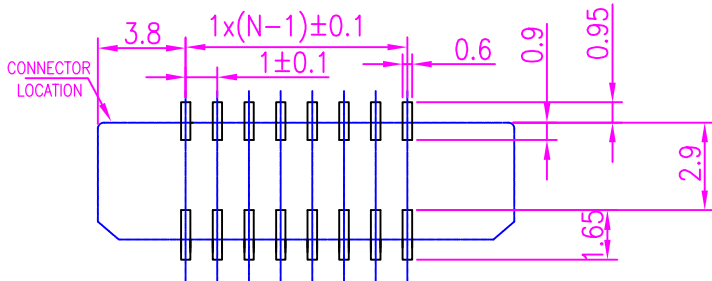
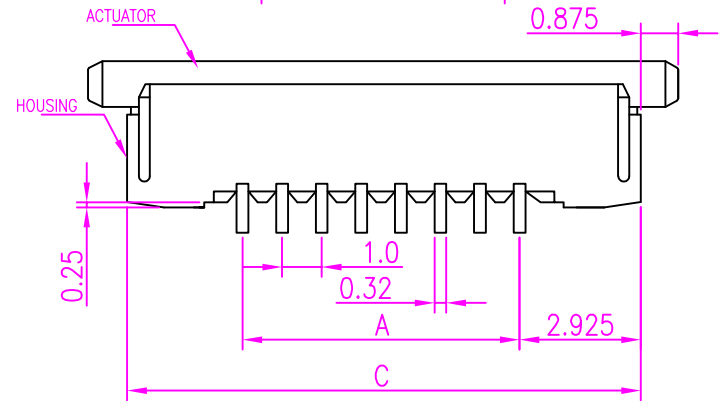
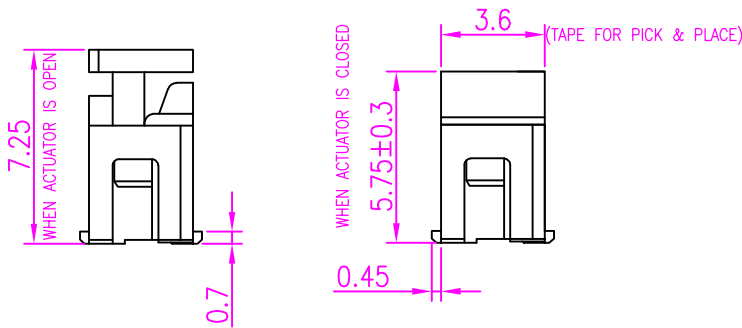
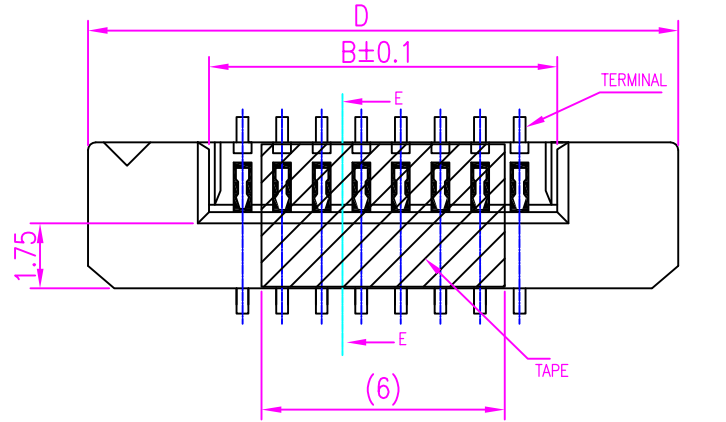
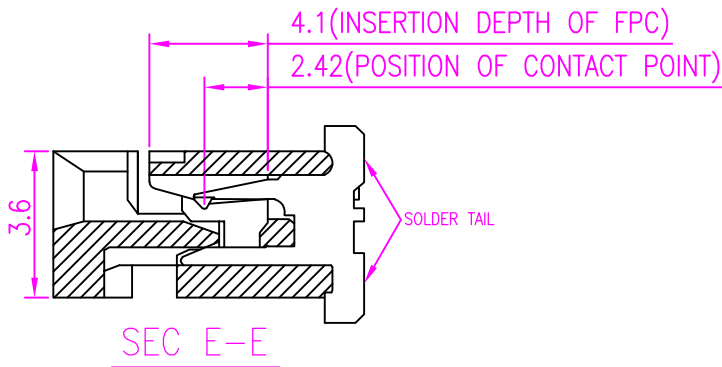
PROVISIONAL



PROTECTRON ELECTROMECH (P) LTD

DESCRIPTION : 1.0mm PTHC FPC CONNECTOR VERTICAL
CONTACT SMT TYPE WITH CAP

PART NO: P7045V2C024XX1RS11A



RECOMMENDED P.C.B LAYOUT
(TOLERANCE ±0.05)

PIN	DIMENSIONS			
	A	B	C	D
16	15	17.2	20.85	22.6
24	23	25.2	28.85	30.6
26	25	27.2	30.85	32.6

ORDERING INFORMATION

P7045V2C024XX1RS11A

NO.OF CONTACTS
(06-30)

A	ORIGINAL	MADHUSHREE	20.11.2017			
REV.	DESCRIPTION		DRN BY	DATE	CKED BY	APP'D BY
Projection: 		Scale: NTS	Sht. Size: A4	Gen. Tol.: ±0.5mm ±2'	ALL DIMENSIONS ARE IN MM. IF UNLESS OTHERWISE SPECIFIED.	

<http://www.protectron.in>
protectron@protectron.in