

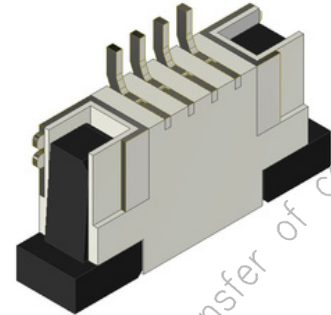


DESCRIPTION : FPC 1mm PITCH CONNECTORS HOR TYPE,
TOP CONTACT, TUBE PACKING

PART NO: P7045T2C024XX-X

T=TUBE PACK
R=TAPE & REEL

RoHS



PHYSICAL DATA

INSULATION	:	THERMOPLASTIC
MATERIAL	:	UL94V-0
FLAMMABILITY	:	
CRIMP TERMINAL	:	PHOSPHOR BRONZE, TIN PLATED

ELECTRICAL DATA

CURRENT RATING	:	0.5A MAX
VOLTAGE RATING	:	50V MAX
CONTACT RESISTANCE	:	≤20m OHMS MAX
INSULATION RESISTANCE	:	50M OHMS MIN
DIELECTRIC WITHSTANDING	:	250V AC

ENVIRONMENTAL DATA

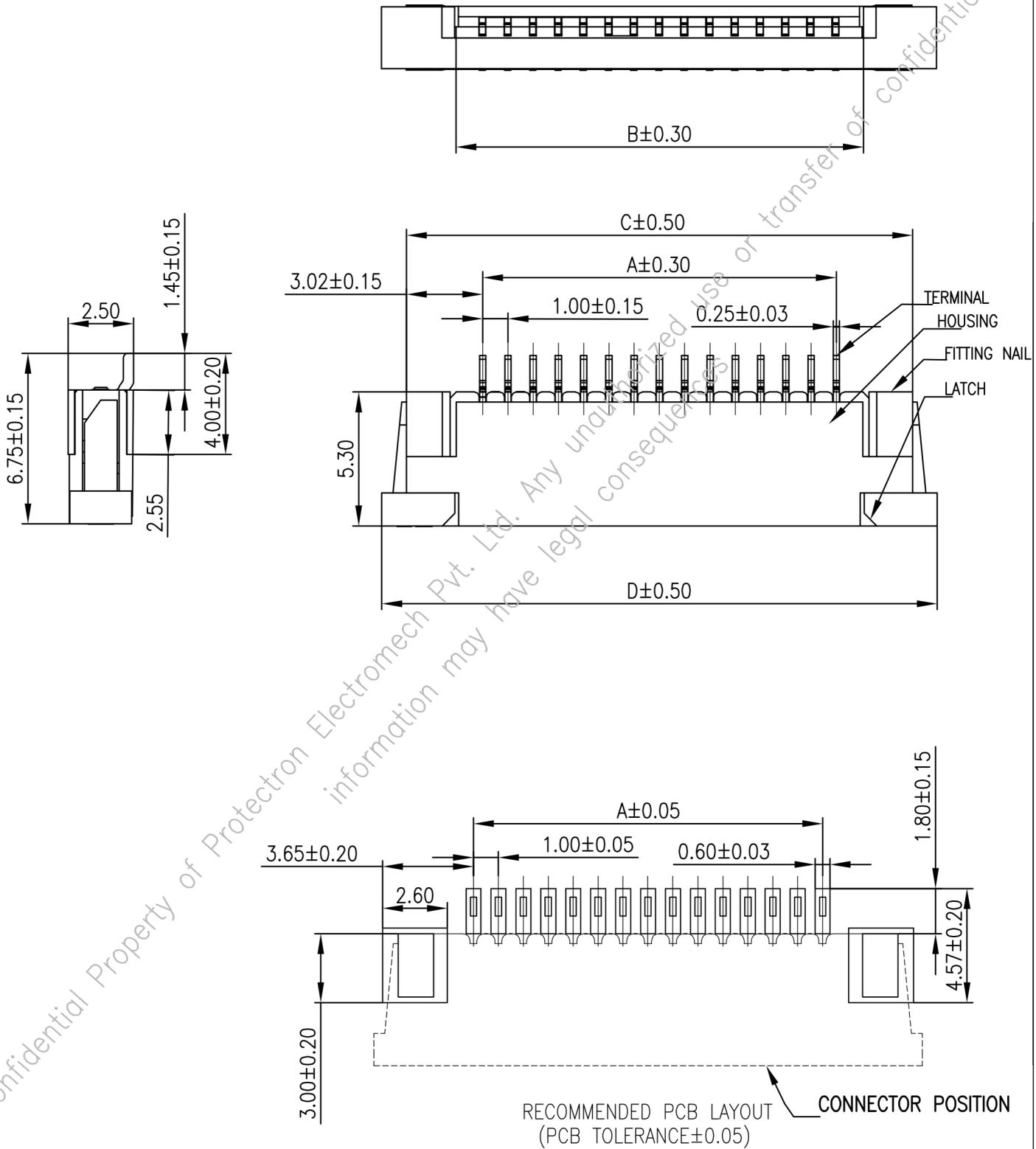
TEMPERATURE RANGE	:	-20° TO +85° C
-------------------	---	----------------



DESCRIPTION : FPC 1mm PITCH CONNECTORS HOR TYPE,
TOP CONTACT, TUBE PACKING

PART NO: P7045T2C024XX-X

T=TUBE PACK
R=TAPE & REEL

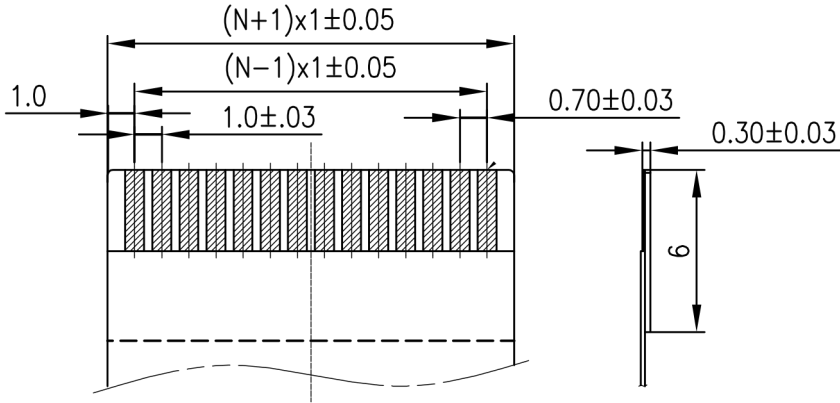




DESCRIPTION : FPC 1mm PITCH CONNECTORS HOR TYPE,
TOP CONTACT, TUBE PACKING

PART NO: P7045T2C024XX-X

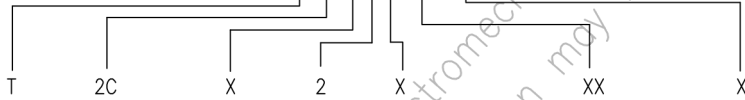
T=TUBE PACK
R=TAPE & REEL



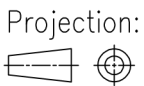
RECOMMENDED FPC/FFC DIMENSION

PIN	DIMENSIONS			
	A	B	C	D
4	3.0	5.10	9.05	11.00
5	4.0	6.10	10.05	12.00
6	5.0	7.10	11.05	13.00
7	6.0	8.10	12.05	14.00
8	7.0	9.10	13.05	15.00
9	8.0	10.10	14.05	16.00
10	9.0	11.10	15.05	17.00
11	10.0	12.10	16.05	18.00
12	11.0	13.10	17.05	19.00
13	12.0	14.10	18.05	20.00
14	13.0	15.10	19.05	21.00
15	14.0	16.10	20.05	22.00
16	15.0	17.10	21.05	23.00
17	16.0	18.10	22.05	24.00
18	17.0	19.10	23.05	25.00
19	18.0	20.10	24.05	26.00
20	19.0	21.10	25.05	27.00
21	20.0	22.10	26.05	28.00
22	21.0	23.10	27.05	29.00
23	22.0	24.10	28.05	30.00
24	23.0	25.10	29.05	31.00
25	24.0	26.10	30.05	32.00
26	25.0	27.10	31.05	33.00
27	26.0	28.10	32.05	34.00
28	27.0	29.10	33.05	35.00
29	28.0	30.10	34.05	36.00
30	29.0	31.10	35.05	37.00

P7045T2CX2XXX-X



SERIES	MOUNTING TYPE	ACTUATOR COLOUR	PLATING	NO.OF CONTACTS	PACKING TYPE
P7045	T=TOP CONTACT	0=BLACK 1=BROWN	T=GOLD FLASH 4=5µ TIN-LEAD	04 TO 30	T=TUBE R=TAPE & REEL



Scale: NTS

Sht. Size: A4

Gen. Tol.: ±0.3mm
±2°

ALL DIMENSIONS ARE IN MM.
IF UNLESS OTHERWISE SPECIFIED.