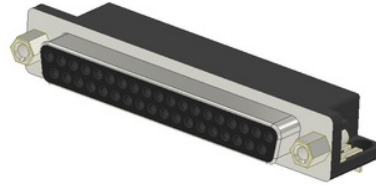


DESCRIPTION : D-SUB FEMALE, PCB RIGHT ANGLE TYPE
(STAMP CONTACT) WITHOUT PEG

PART NO: P7032FAXX-01-5
XX=NO. OF POSITIONS-9,15,25,37



PHYSICAL DATA

MATERIAL DATA:

INSULATOR BODY : PBT, UL 94V-0
CONTACT : COPPER ALLOY, SELECTIVE GOLD PLATED

ELECTRICAL DATA

RATED CURRENT : 3A
CONTACT RESISTANCE : 13M OHMS MAX
INSULATION RESISTANCE : 1000M OHMS MIN
DIELECTRIC VOLTAGE : 500V AC FOR ONE MINUTE

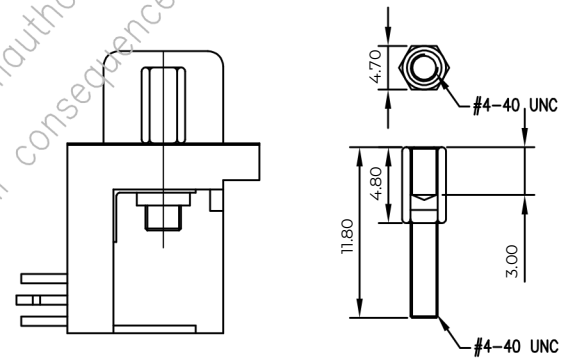
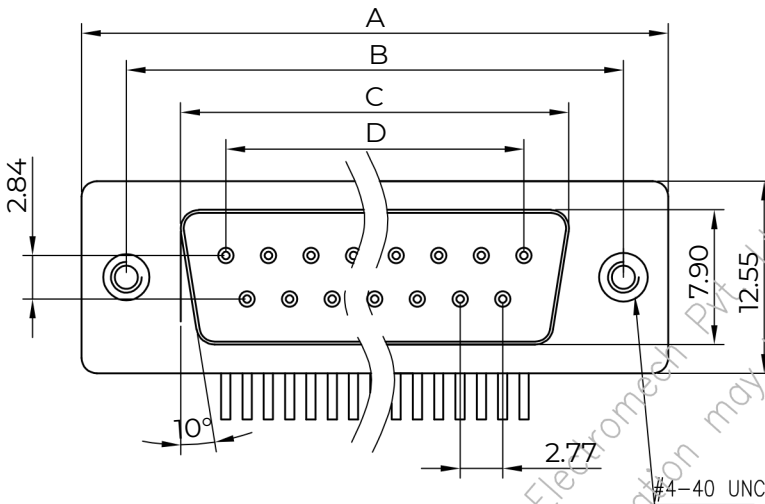
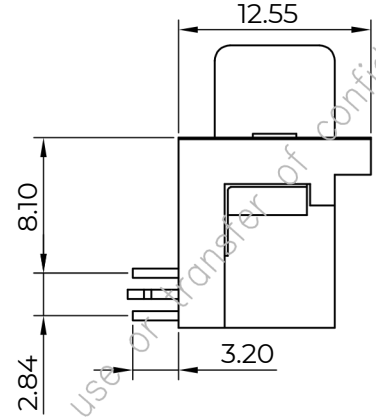
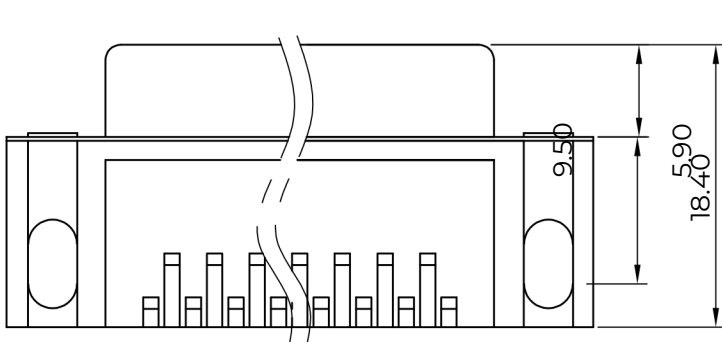
ENVIRONMENTAL DATA

OPERATING TEMPERATURE : -55°C TO +105°C

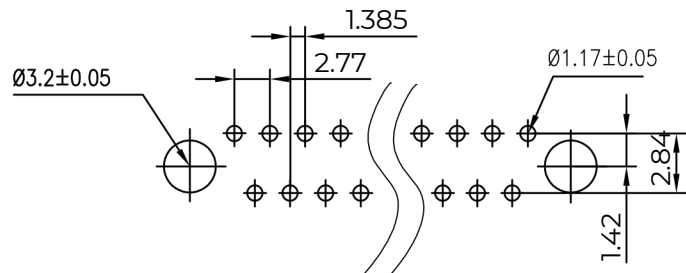


DESCRIPTION : D-SUB FEMALE, PCB RIGHT ANGLE TYPE
(STAMP CONTACT) WITHOUT PEG

PART NO: P7032FAXX-01-5
XX=NO. OF POSITIONS-9,15,25,37

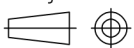


NO. OF POSITIONS	DIMENSIONS in mm			
	A	B	C	D
9	30.81	24.99	16.33	11.08
15	39.14	33.32	24.66	19.39
25	53.04	47.04	38.38	33.24
37	69.32	63.50	54.84	49.86



RECOMMENDED PCB LAYOUT

Projection:



Scale: **NTS**

Sht. Size: **A4**

Gen. Tol.: ±0.5mm
±2°

ALL DIMENSIONS ARE IN MM.
IF UNLESS OTHERWISE SPECIFIED.