



**DESCRIPTION** : Signal Terminal

**PART NO:** P51D70143



**PHYSICAL :**

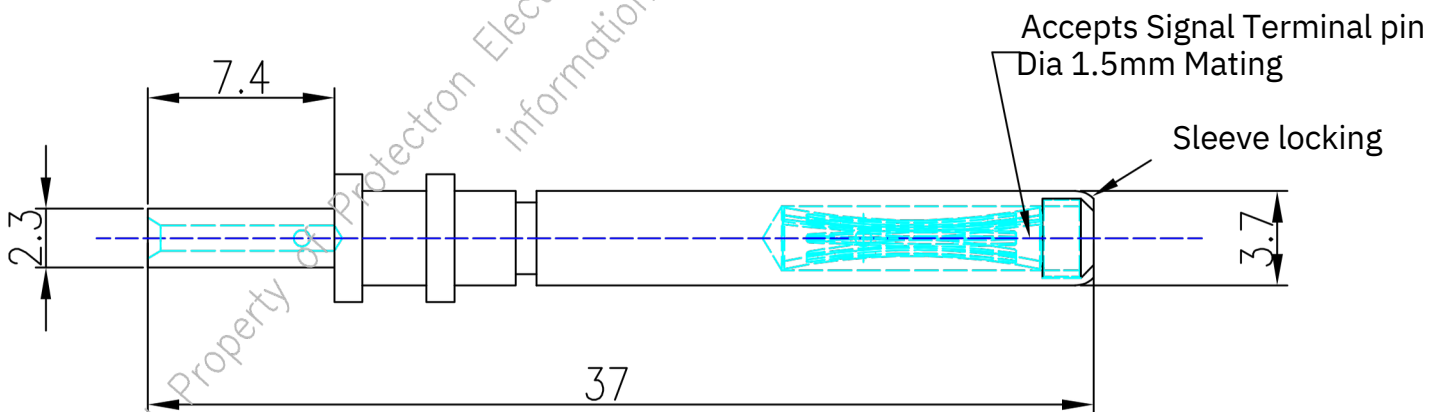
**MATERIAL :** BRASS (CuZn37Pb3) INNER CLIP-Be2Cu 3μ min Silver Plating

**ELECTRICAL DATA :**

**RATED CURRENT :** 2A-3A

**MATING CYCLE :** 3000 CYCLE MIN

**OPERATING TEMPERATURE:** -25°C TO +80°C



Projection:



Scale: NTS

Sht. Size: A4

ALL DIMENSIONS ARE IN MM.  
IF UNLESS OTHERWISE SPECIFIED.