



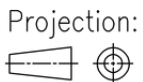
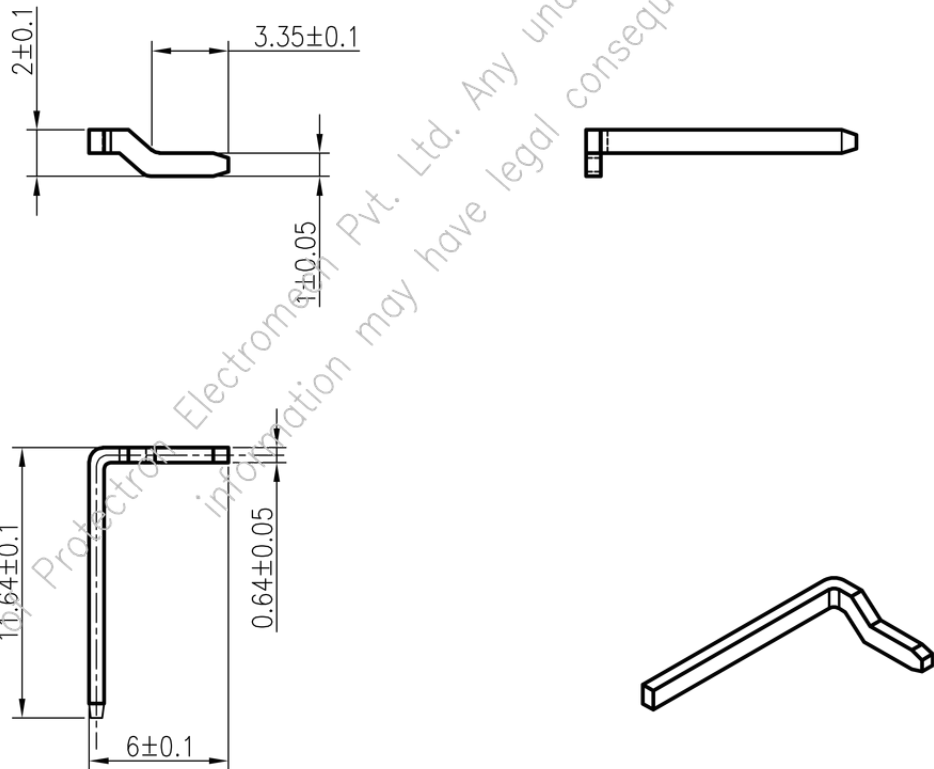
DESCRIPTION : 1.0X0.64mm RECTANGULAR PIN, L SHAPE WITH BEND.

PART NO: P50LX0208



PHYSICAL

MATERIAL : BRASS.
FINISH : GOLD FLASH PLATING
PACKAGING TYPE : STANDARD. 5000 NO'S/ POLY BAG / BOX.



Scale: NTS

Sht. Size: A4

Gen. Tol.: ± 0.2 mm
 $\pm 2^{\circ}$

ALL DIMENSIONS ARE IN MM.
IF UNLESS OTHERWISE SPECIFIED.