

DESCRIPTION: USB A TYPE CONNECTOR, VERTICAL MOUNT, TOP ENTRY, STRAIGHT, 4P4C

PART NO: P7070AS04-5

RoHS



PHYSICAL DATA

INSULATOR	:	PBT, UL94V-0, WHITE COLOUR
PIN MATERIAL	:	BRASS, SELECTIVE GOLD PLATED (GOLD ON MATING SIDE & TIN ON SOLDERING SIDE)
SHELL	:	SPCC
PACKAGING TYPE	:	BULK PACKING

ELECTRICAL DATA

INSULATION RESISTANCE	:	1000M OHMS MIN
DIELECTRIC WITHSTANDING	:	AC 750Vrms
CURRENT RATING	:	1.5A
CONTACT RESISTANCE	:	30m OHMS MAX

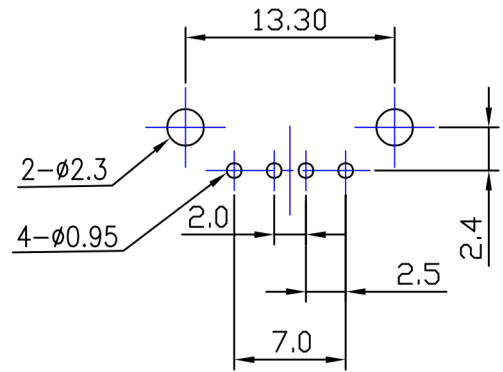
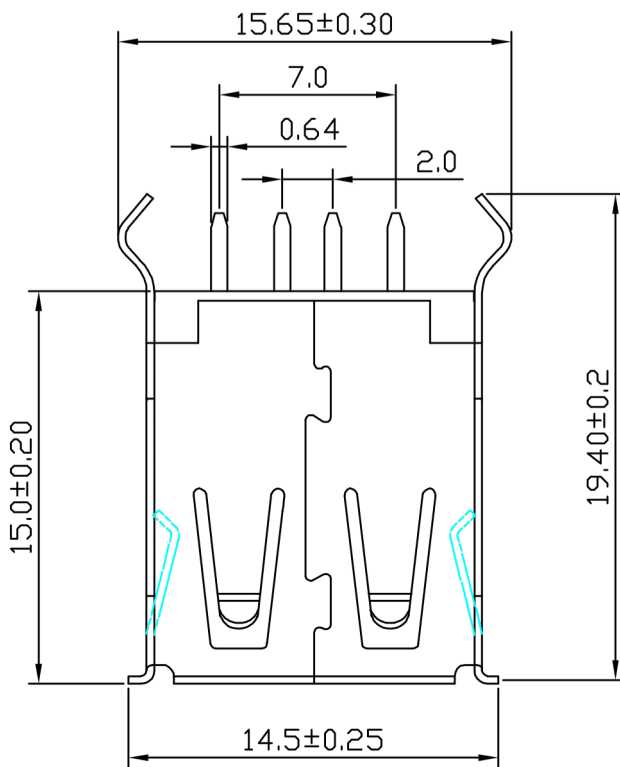
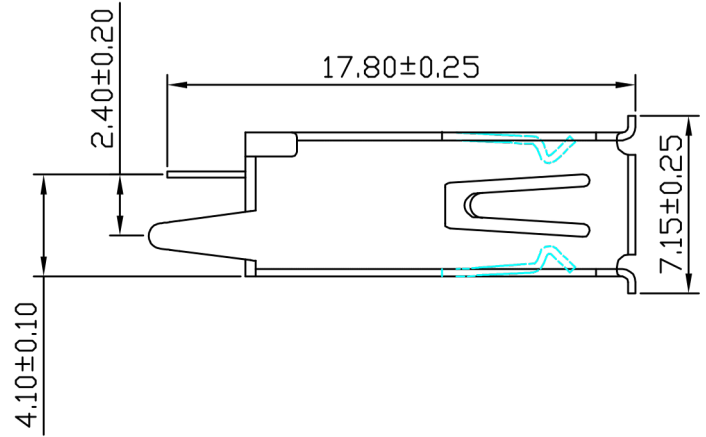
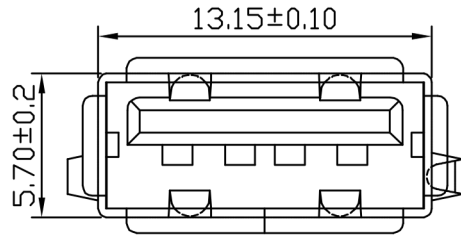
ENVIRONMENTAL DATA

TEMPERATURE RANGE	:	-40° TO +80° C
-------------------	---	----------------



DESCRIPTION: USB A TYPE CONNECTOR, VERTICAL MOUNT, TOP ENTRY, STRAIGHT, 4P4C

PART NO: P7070AS04-5



RECOMMENDED PCB LAYOUT

Projection:



Scale: NTS

Sht. Size: A4

Gen. Tol.: ±0.5mm

ALL DIMENSIONS ARE IN MM.
IF UNLESS OTHERWISE SPECIFIED.