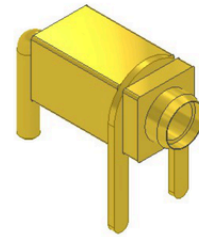


DESCRIPTION: HORIZONTAL JACK TIP (TEST POINT)
FOR ϕ 2.03,SQ BODY,WITH MOUNTING TAB,GOLD PLATED

PART NO: P8025A12-32

RoHS



PHYSICAL DATA

MATERIAL:

INNER CLIP : BERYLLIUM COPPER , GOLD PLATED
OUTER SLEEVE : BRASS, GOLD PLATED
MOUNTING TAB : BRASS, GOLD PLATED
FINISH : GOLD PLATED
PACKING TYPE : BULK PACKING

ELECTRICAL DATA

VOLTAGE RATING : 250V
CURRENT RATING : 5.5A max.
CONTACT RESISTANCE : 4m OHMS Max.

MECHINICAL DATA

INSERTION FORCE : 2.2Kg max.
EXTRACTION FORCE : 0.18Kg min.

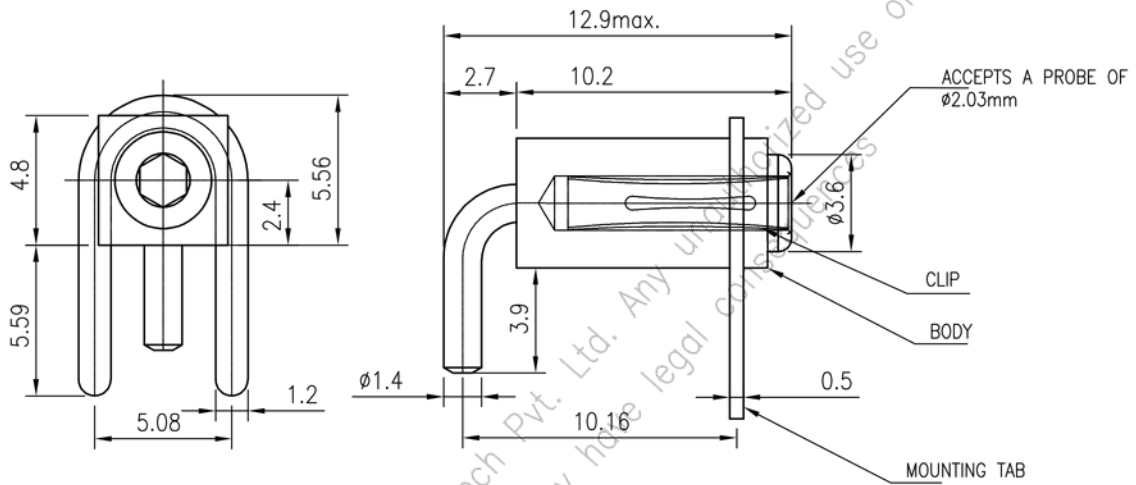
ENVIRONMENTAL DATA

TEMPERATURE RANGE : -65°C TO +85°C



DESCRIPTION: HORIZONTAL JACK TIP (TEST POINT)
FOR $\phi 2.03$,SQ BODY,WITH MOUNTING TAB,GOLD PLATED

PART NO: P8025A12-32



Projection:

Scale: NTS

Sht. Size: A4

Gen. Tol.: ± 0.30 mm
 $\pm 2^{\circ}$

ALL DIMENSIONS ARE IN MM.
IF UNLESS OTHERWISE SPECIFIED.