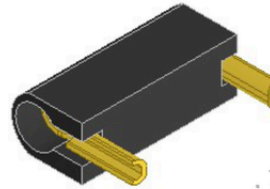




DESCRIPTION : HORIZONTAL JACK TIP (TEST POINT)
FOR Ø2.03mm

PART NO: P8020-1X-3X-X
1st X=TYPE OF COLOR
2nd X=TYPE OF PLATING
3rd X=TAIL LENGTH

RoHS



PHYSICAL DATA

MATERIAL

INSULATOR BODY : POLYPROPELENE
CONTACT : BERYLLIUM COPPER
FINISH : GOLD PLATED
PACKAGING TYPE : BULK PACKING

ELECTRICAL DATA

INSULATION RESISTANCE : 10,000 M OHMS MIN.
CONTACT RESISTANCE : 5 m OHMS MAX.
CURRENT RATING : 4A
VOLTAGE RATING : 600 V
DIELECTRIC WITHSTANDING : 2500V RMS

MECHANICAL DATA

INSERTION FORCE : 2.2kg MAX
EXTRACTION FORCE : 0.22kg MIN

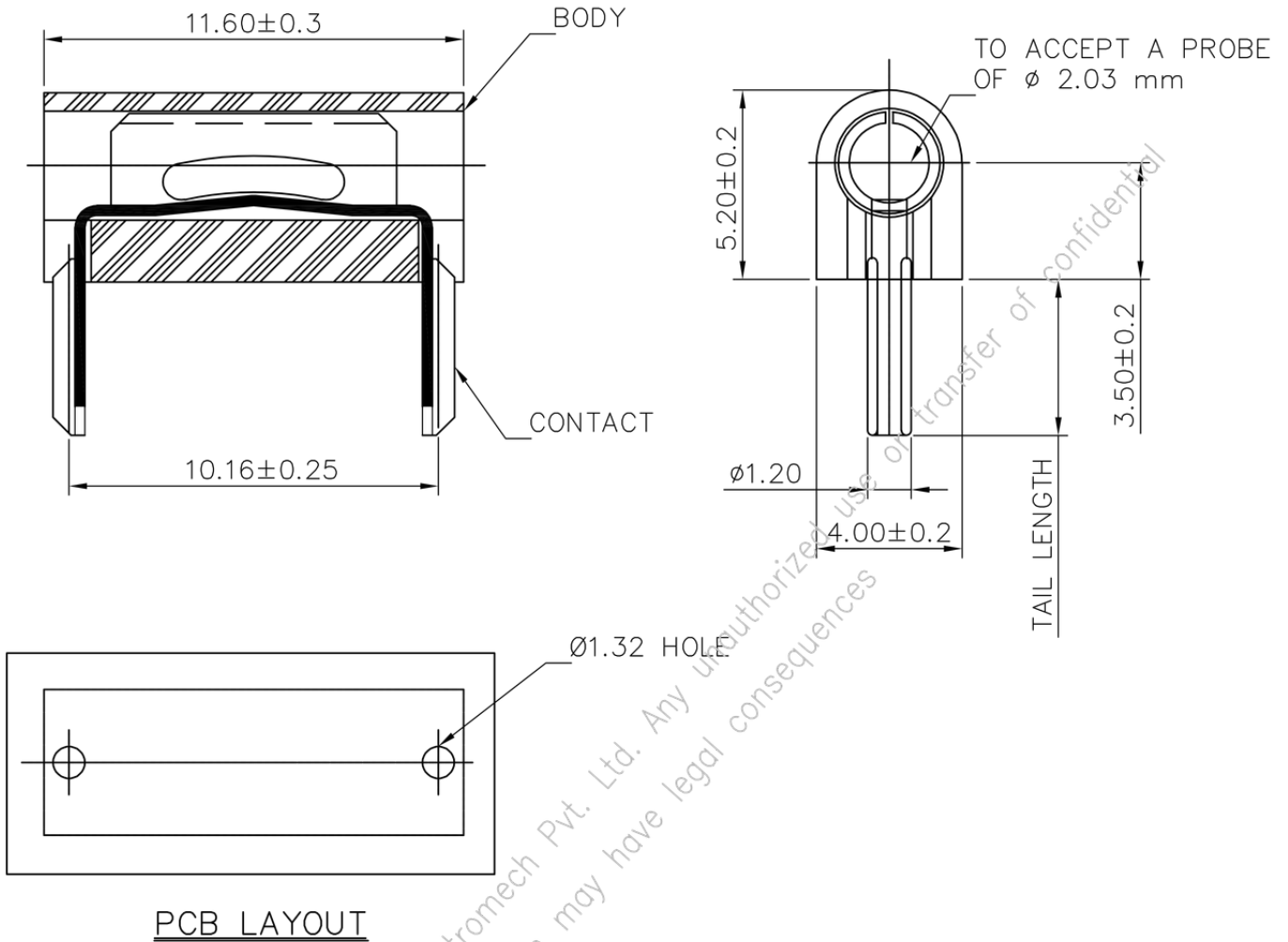
ENVIRONMENTAL DATA

TEMPERATURE RANGE : -40°C TO +70°C



DESCRIPTION : HORIZONTAL JACK TIP (TEST POINT)
FOR $\varnothing 2.03\text{mm}$

PART NO: P8020-1X-3X-X
1st X=TYPE OF COLOR
2nd X=TYPE OF PLATING
3rd X=TAIL LENGTH





DESCRIPTION : HORIZONTAL JACK TIP (TEST POINT)
FOR Ø2.03mm

PART NO: P8020-1X-3X-X
1st X=TYPE OF COLOR
2nd X=TYPE OF PLATING
3rd X=TAIL LENGTH

ORDERING INFORMATION

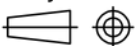
P8020-1X-3X-X

TYPE OF COLOR	
BLACK	0
BROWN	1
RED	2
ORANGE	3
YELLOW	4
GREEN	5
BLUE	6
VIOLET	7
GREY	8
WHITE	9

TAIL LENGTH	
X	LENGTH
0	3.50mm
1	5.56mm

PLATING	
Ag 5μ	1
Ni2 Au0.5μ	3
Ni2 Au0.75μ	4
SELECTIVE	B

Projection:



Scale: NTS

Sht. Size: A4

Gen. Tol.: ±0.5mm
±2'

ALL DIMENSIONS ARE IN MM.
IF UNLESS OTHERWISE SPECIFIED.