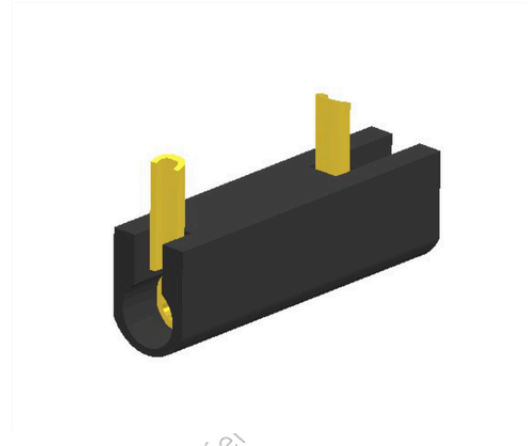




**DESCRIPTION :** FRONT PANEL JACK TIP (TEST POINT)  
FOR Ø2.03mm

**PART NO:** P8020-1X-3X-P  
1st X=TYPE OF COLOR  
2nd X=TYPE OF PLATING

RoHS



**PHYSICAL DATA**

**MATERIAL**

INSULATOR BODY : POLYPROPELENE  
CONTACT : BERYLLIUM COPPER  
FINISH : GOLD/SILVER PLATED  
PACKAGING TYPE : BULK PACKING

**ELECTRICAL DATA**

INSULATION RESISTANCE : 10,000 M OHMS MIN.  
CONTACT RESISTANCE : 5 m OHMS MAX.  
CURRENT RATING : 4A  
VOLTAGE RATING : 600 V  
DIELECTRIC WITHSTANDING : 2500V RMS

**MECHANICAL DATA**

INSERTION FORCE : 2.2kg MAX  
EXTRACTION FORCE : 0.22kg MIN

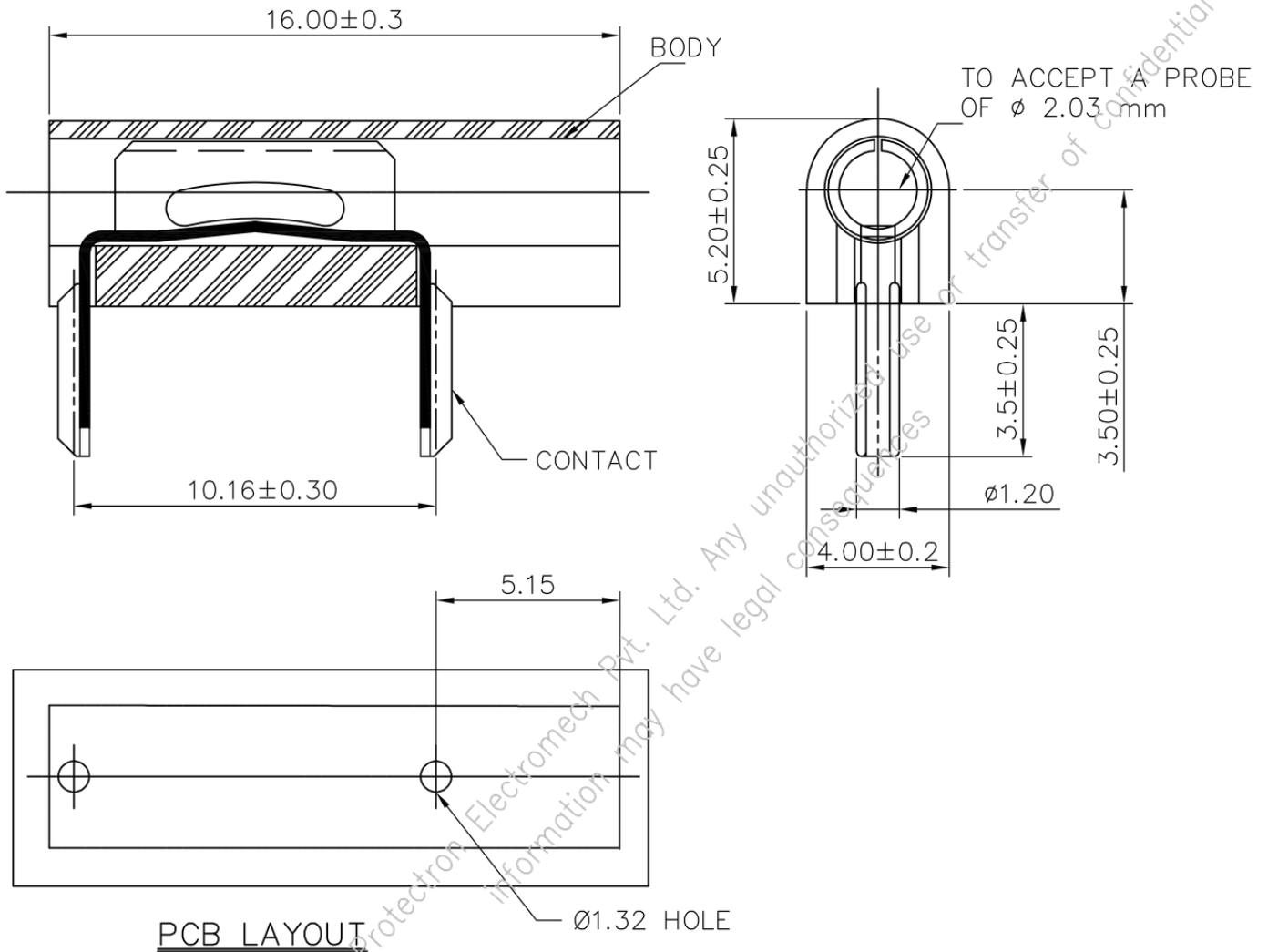
**ENVIRONMENTAL DATA**

TEMPERATURE RANGE : -40°C TO +70°C



**DESCRIPTION :** FRONT PANEL JACK TIP (TEST POINT)  
FOR Ø2.03mm

**PART NO:** P8020-1X-3X-P  
1st X=TYPE OF COLOR  
2nd X=TYPE OF PLATING





**DESCRIPTION :** FRONT PANEL JACK TIP (TEST POINT)  
FOR Ø2.03mm

**PART NO:** P8020-1X-3X-P  
1st X=TYPE OF COLOR  
2nd X=TYPE OF PLATING

## ORDERING INFORMATION

P8020-1X-3X-P

TYPE OF COLOR	
BLACK	0
BROWN	1
RED	2
ORANGE	3
YELLOW	4
GREEN	5
BLUE	6
VIOLET	7
GREY	8
WHITE	9

PLATING	
Ag 5μ	1
Ni2 Au0.2μ	2
Ni2 Au0.75μ	4
SELECTIVE	B

Confidential Property of Protectron Electromech Pvt. Ltd. Any unauthorized use or transfer of confidential information may have legal consequences

Projection:

Scale: NTS

Sht. Size: A4

Gen. Tol.: ±0.5mm  
±2'

ALL DIMENSIONS ARE IN MM.  
IF UNLESS OTHERWISE SPECIFIED.