



# PROTECTRON ELECTROMECH (P) LTD

DESCRIPTION : EV CHARGING VEHICLE SIDE

PART NO: PEVCS011-20-11-07

RoHS



## ELECTRICAL PARAMETERS:

RATED VOLTAGE : 240V-415V AC

RATED CURRENT : 32A, AC

SIGNAL CURRENT : 2A, <30V DC

## MATERIAL AND FINISH

BODY : THERMOPLASTIC

TERMINALS : COPPER ALLOY, SILVER PLATING

CHARGING CABLE : 32A, 3P+DC+DC- +N+PE+PP+CP

DEGREE OF PROTECTION : IP44

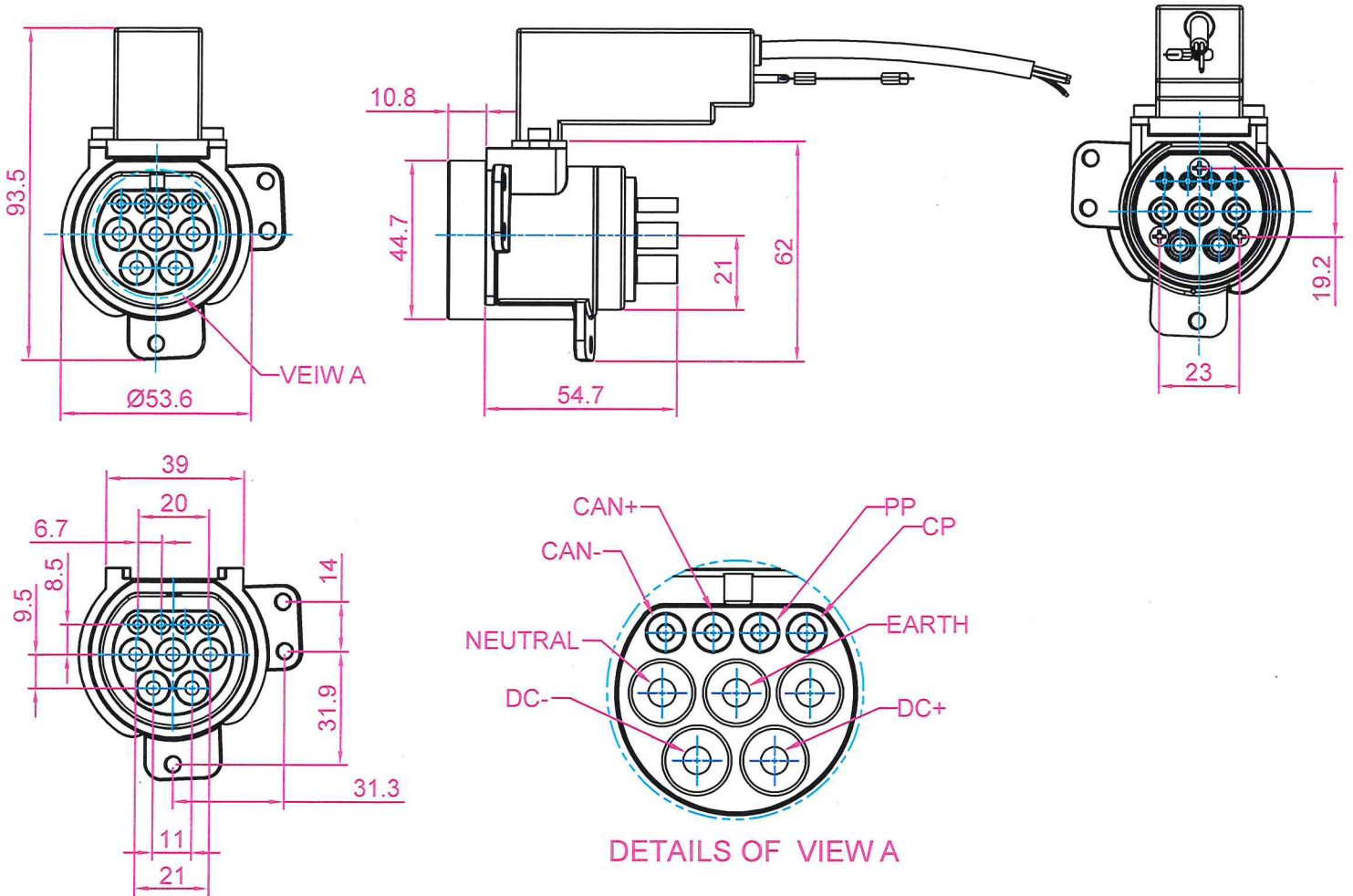
AMBIENT TEMPERATURE : -25°C TO +40°C



# PROTECTRON ELECTROMECH (P) LTD

DESCRIPTION : EV CHARGING VEHICLE SIDE

PART NO: PEVCS011-20-11-07



### RECOMMED CABLE SPECIFICATION FOR 32A

FUNCTION	TERMINALS	240V-415V AC
SIGNAL	PP	0.5 Sqmm
	CP	0.5 Sqmm
	CAN-	0.5 Sqmm
	CAN+	0.5 Sqmm
EARTH	EARTH	2.5 Sqmm
DC	DC-	13 Sqmm
	DC+	13 Sqmm
AC	LIVE	2.5 Sqmm
	NEUTRAL	2.5 Sqmm

### NOTE:

ONLY CONNECTOR WITHOUT CABLE

A1	VEWS UPDATED	SHUEAB	20.01.2024		
A	ORIGINAL	YESHWANTH	06.07.2023		
REV.	DESCRIPTION	DRN. BY	DATE	CK'ED BY	APP'D BY
Projection: 		Scale: NTS	Sht. Size: A4	Gen. Tol.: ±0.35mm ±2°	ALL DIMENSIONS ARE IN MM. IF UNLESS OTHERWISE SPECIFIED.