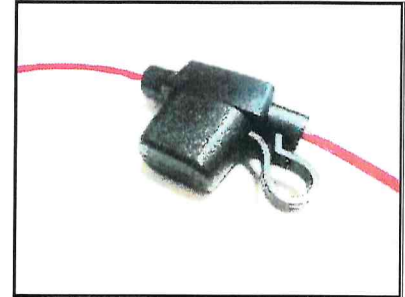




# PROTECTRON ELECTROMECH (P) LTD

DESCRIPTION : INLINE FUSE HOLDER FOR MINI-BLADE FUSE

PART NO: P8041-19



## PHYSICAL DATA

OUTER BODY : PVC, UL94V-0  
TERMINALS : PHOSPHOR BRONZE, TIN PLATED

## ELECTRICAL DATA

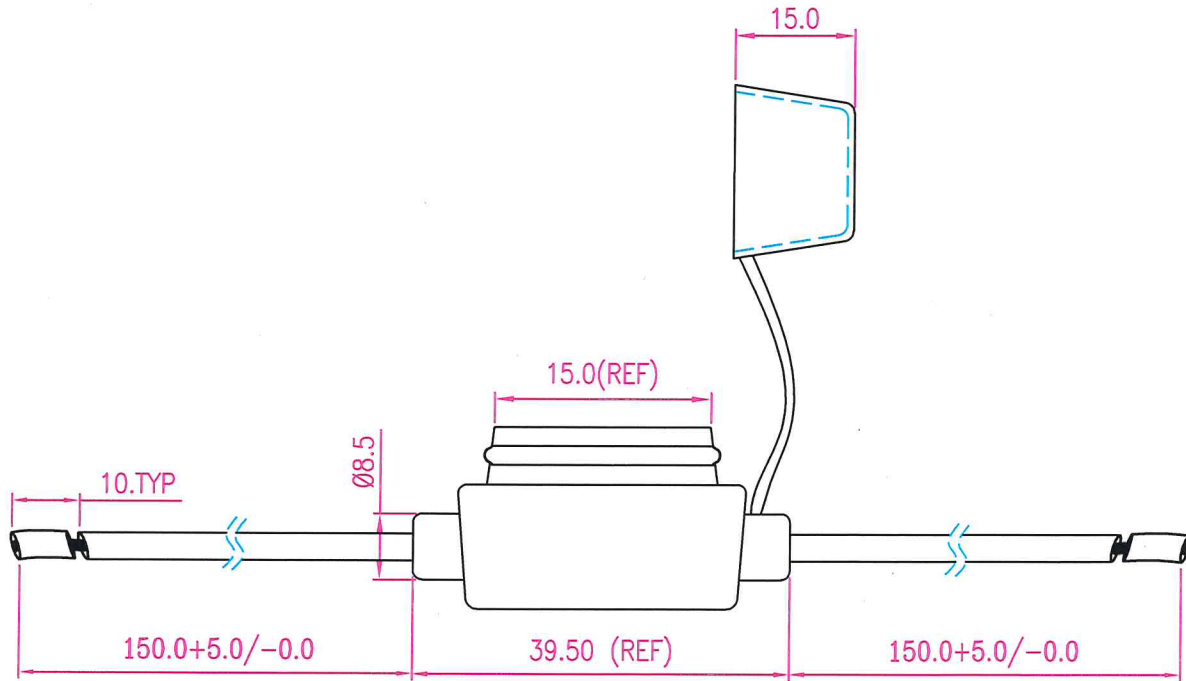
CURRENT RATING : 15A  
VOLTAGE RATING : 58V MAX  
INSULATION RESISTANCE : 100M $\Omega$  MIN AT 500V DC  
CONTACT RESISTANCE : 5M $\Omega$  MAX AT 1A DC  
WIRE : 1SQmm FLRYB RED COLOR 6 INCH LENGTH ON EACH END



# PROTECTRON ELECTROMECH (P) LTD

DESCRIPTION : INLINE FUSE HOLDER FOR MINI-BLADE FUSE

PART NO: P8041-19

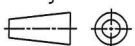


## ORDERING INFORMATION

P8041-19

A3	VOLTAGE RATING UPDATED TO 58V	RAKSHITHA	23.01.2024		
A2	CURRENT RATING UPDATED TO 15A	SWATHI H	19.05.2022		
A1	CURRENT RATING UPDATED TO 5A	THANUJA	08.09.2020		
A	ORIGINAL	GEETHA	18.08.2020		
REV.	DESCRIPTION	DRN. BY	DATE	CK'ED BY	APP'D BY

Projection:



Scale: NTS

Sht. Size: A4

ALL DIMENSIONS ARE IN MM.  
IF UNLESS OTHERWISE SPECIFIED.

<http://www.protectron.in>

[protectron@protectron.in](mailto:protectron@protectron.in)