



# PROTECTRON ELECTROMECH (P) LTD

DESCRIPTION : IN LINE FUSE HOLDER FOR BLADE FUSE

PART NO: P8039-15



## PHYSICAL DATA

MATERIAL : NYLON  
UL WIRE : 14 AWG/8" LOOP  
TERMINAL : BRASS

## ELECTRICAL DATA

CURRENT RATING : 20A  
VOLTAGE DROP : 20mV MAX  
INSULATION RESISTANCE : 100M OHMS MAX @500V DC  
CONTACT RESISTANCE : 5m OHMS MAX, @1 AMPS DC  
DIELECTRIC STRENGTH : 1500V AC MIN, FOR 60 SEC

## MECHANICAL DATA

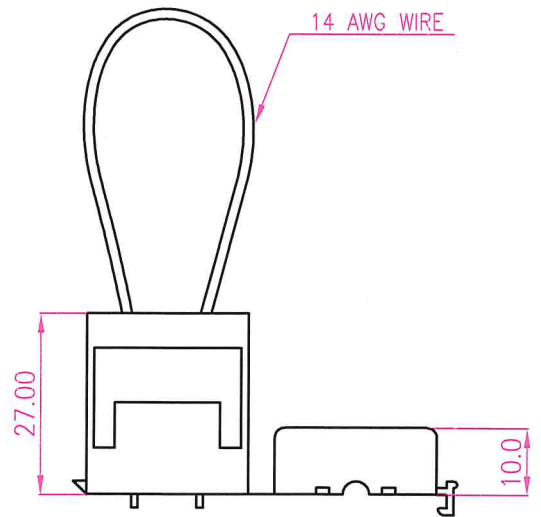
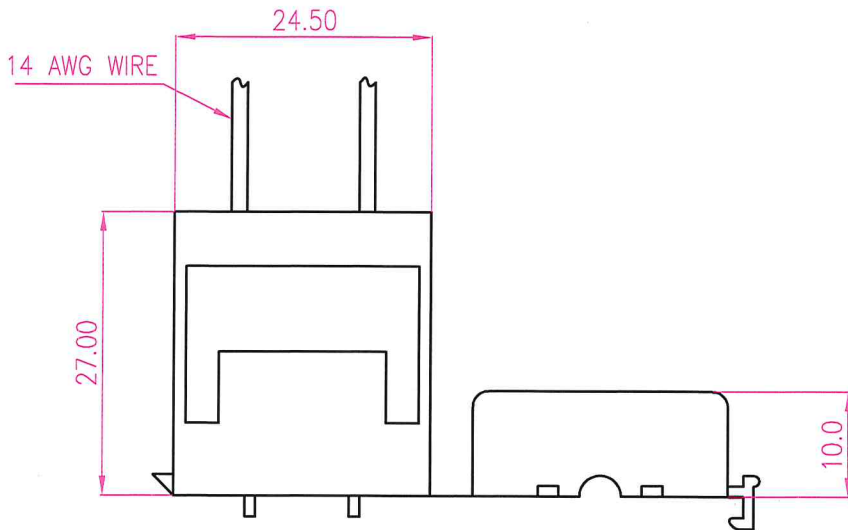
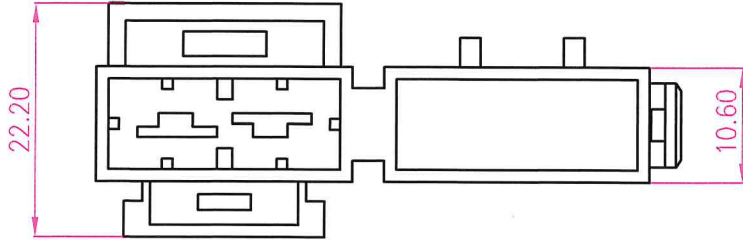
INSERTION AND EXTRCTION : 1.0kg. MIN  
TEMPERATURE RISE : 50°C MAX



# PROTECTRON ELECTROMECH (P) LTD

DESCRIPTION : IN LINE FUSE HOLDER FOR BLADE FUSE

PART NO: P8039-15



REV.	DESCRIPTION	DRN BY	DATE	CK'ED BY	APP'D BY
A2	DRAWING UPDATED	THANUJA	14.02.2022	<i>Thirupathi</i>	<i>Sanjay</i>
A1	DRAWING UPDATED AS PER CUSTOMER REQUIRMENT	THANUJA	31.07.2021		
A	ORIGINAL	RAVISH.S	29.06.2010		

Projection: 	Scale: NTS	Sht. Size: A4	Gen. Tol.: ±0.5mm ±2'	ALL DIMENSIONS ARE IN MM. IF UNLESS OTHERWISE SPECIFIED.
-----------------	------------	---------------	--------------------------	---