



**DESCRIPTION** : 200A VEHICLE CONNECTOR

**PART NO:** PEVCS016-20-11-09



**RoHS**



**MATERIAL AND FINISH**

**MATERIAL** : THERMOPLASTIC, UL94 V-0  
**TERMINALS** : COPPER ALLOY, SILVER PLATING

**ELECTRICAL PARAMETERS:**

**RATED CURRENT** : 200A DC  
**RATED VOLTAGE** : 1000V  
**INSULATION RESISTANCE** : 500V DC  
**WITHSTAND VOLTAGE** : 3500V

**MECHANICAL PARAMETERS:**

**MECHANICAL LIFE** : 10000 CYCLE

**STANDARD** : GB/T 20234.3-2015

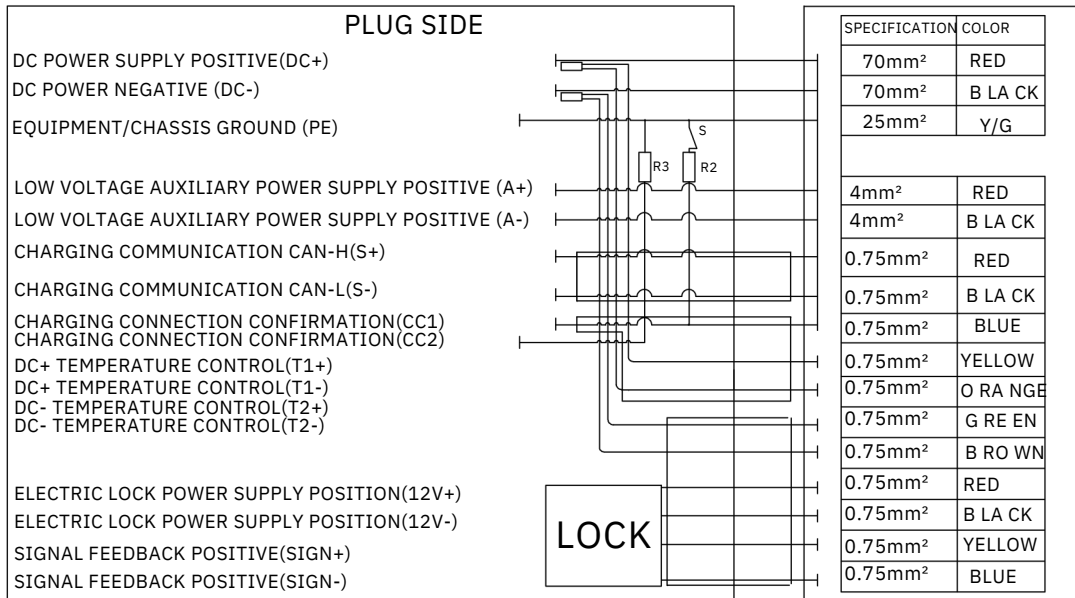
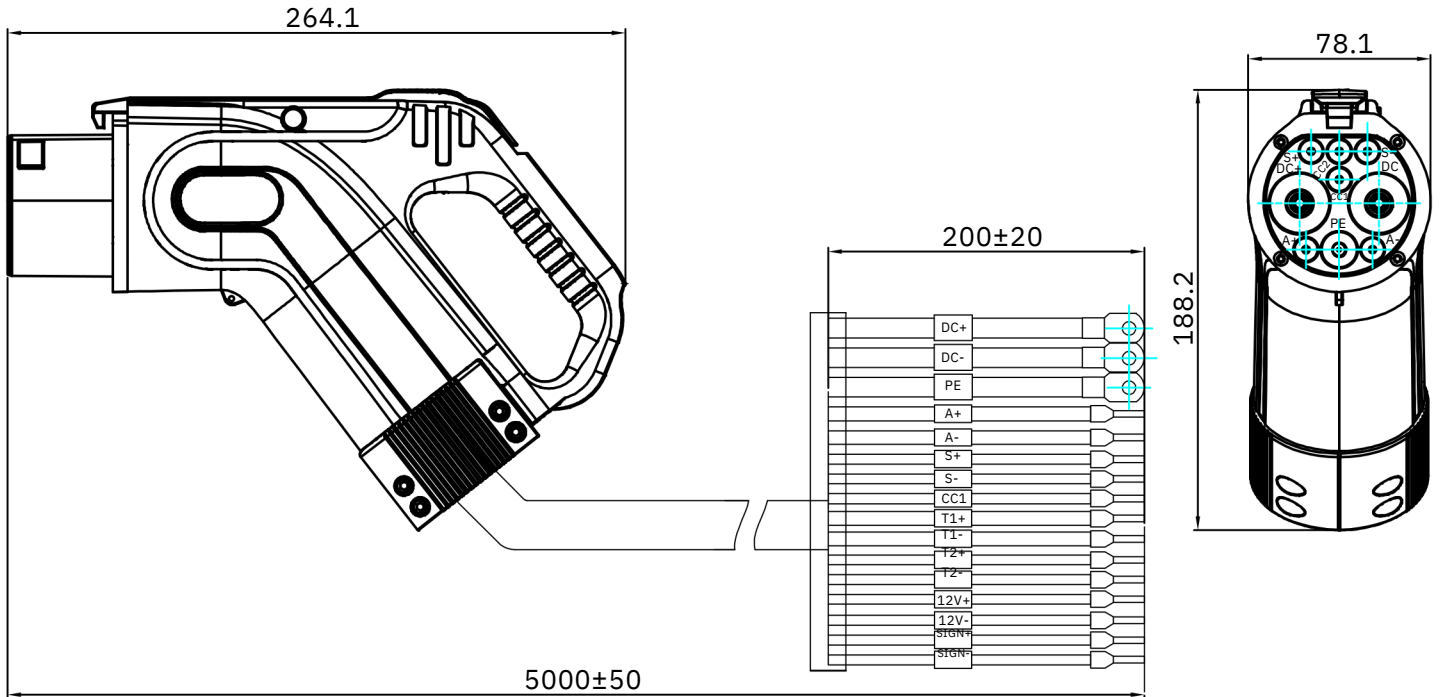
**PROTECTION DEGREE** : IP55 (AFTER INSERTION)-IP54(BEFORE)

**AMBIENT TEMPERATURE** : -30°C TO +50°C



DESCRIPTION : 200A VEHICLE CONNECTOR

PART NO: PEVCS016-20-11-09



Projection:

Scale: NTS

Sht. Size: A4

Gen. Tol.: ±0.35mm  
±2'

ALL DIMENSIONS ARE IN MM.  
IF UNLESS OTHERWISE SPECIFIED.