

DESCRIPTION : SINGLE DIODE, MALE CONNECTOR, 2 PIN, 3A

PART NO: PBD-M-02-3A-1

RoHS



### PHYSICAL DATA

#### MATERIAL DATA:

**INSULATOR** : NYLON 6/6, BLACK COLOR  
**CONTACT** : COPPER ALLOY, TIN PLATED

### ELECTRICAL DATA

**AVERAGE OUTPUT CURRENT** : 3A (  $I_F$  )  
**PEAK REVERSE VOLTAGE** : 400V  
**DIODE PACKAGE** : SOD-64

### ENVIRONMENTAL DATA

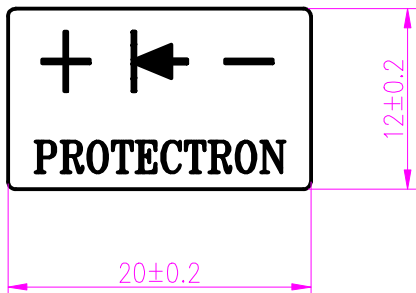
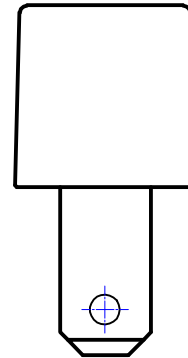
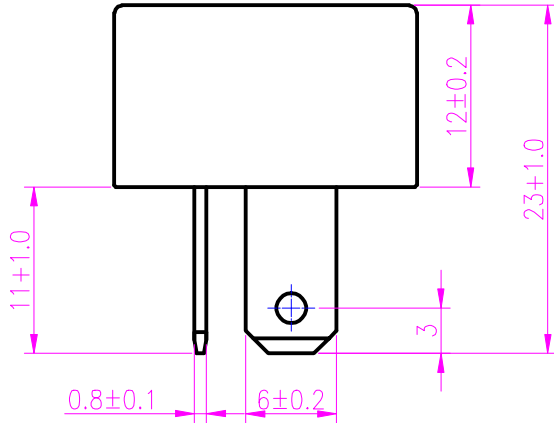
**OPERATING TEMPERATURE** : -30°C TO +80°C



# PROTECTRON ELECTROMECH (P) LTD

DESCRIPTION :SINGLE DIODE, MALE CONNECTOR, 2 PIN, 3A

PART NO: PBD-M-02-3A-1



DIODE DIRECTIVITY



A	ORIGINAL			SUMITH	21.09.2016	VIKRAM	SACHIN
REV.		DESCRIPTION		DRN. BY	DATE	CK'ED BY	APP'D BY
	Projection: 	Scale: NTS	Sht. Size: A4	Gen. Tol.: ±0.35mm ±2'	ALL DIMENSIONS ARE IN MM. IF UNLESS OTHERWISE SPECIFIED.		