



PROTECTRON ELECTROMECH (P) LTD

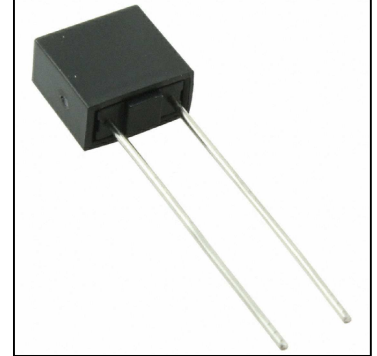
DESCRIPTION : RADIAL LEAD MICRO FUSES TIME LAG

PART NO: PMT SERIES

RoHS



APPROVALS:



PHYSICAL DATA

MATERIAL

BASE AND CAP

: PA66, UL 94-V0. BLACK COLOR

ROUND PINS

: COPPER, TIN PLATED

PACKAGING TYPE

IN BULK

: 1000 pcs per box

ON TAPE

: Ammo Pack, 1000pcs box

ELECTRICAL DATA

INTERUPT RATING

: 35A or 10 times the rated current whichever is greater.

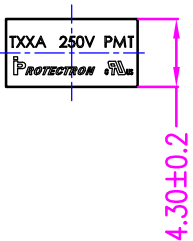
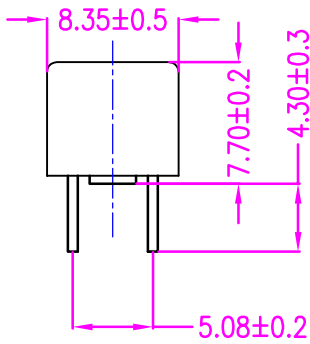


PROTECTRON ELECTROMECH (P) LTD

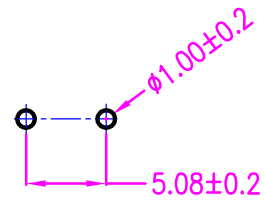
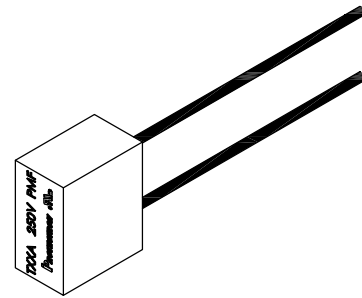
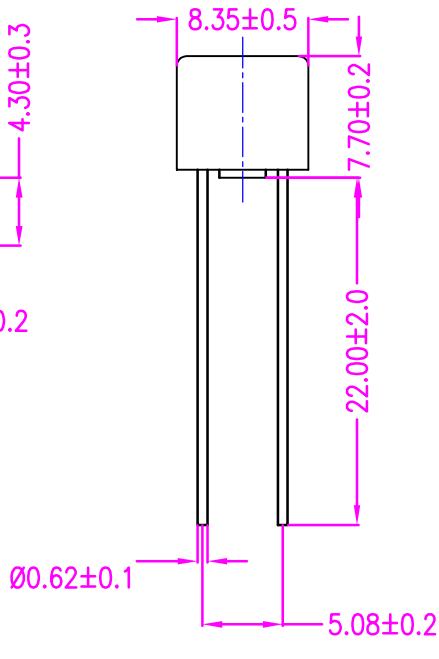
DESCRIPTION : RADIAL LEAD MICRO FUSES TIME LAG

PART NO: PMT SERIES

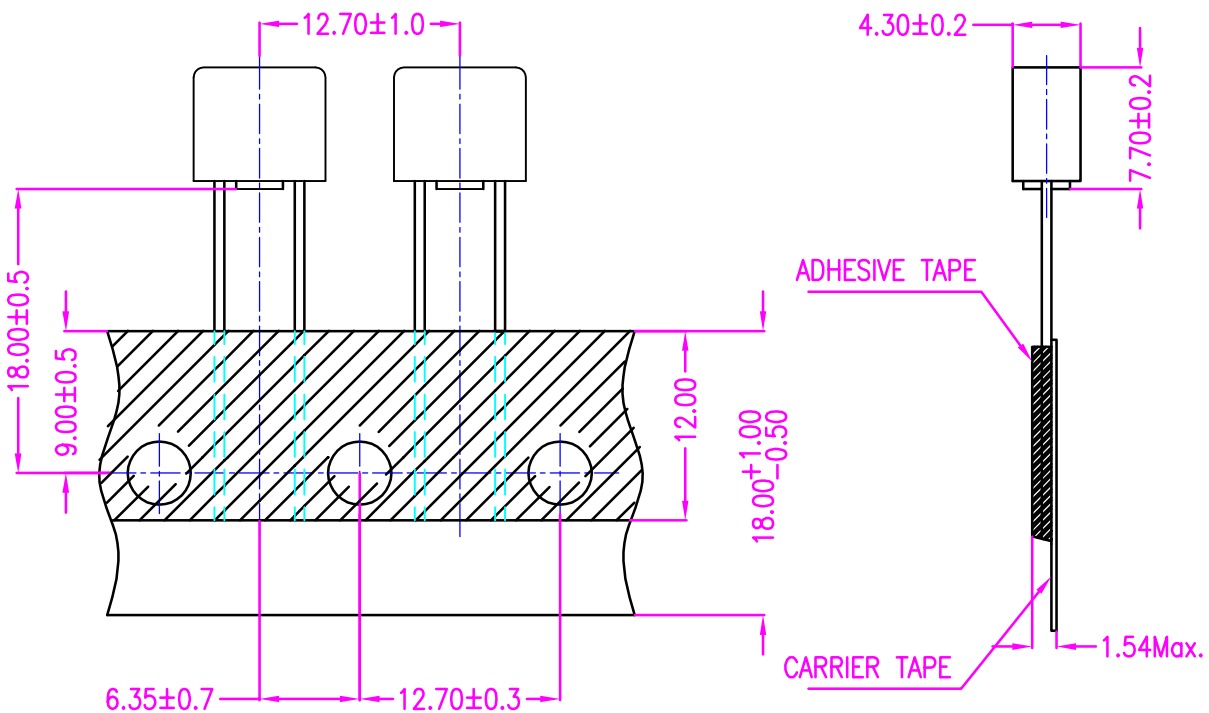
SHORT LEADS



LONG LEADS



MOUNTING HOLES



A	ORIGINAL	KEERTHI	15.09.2014		
REV.	DESCRIPTION		DRN. BY	DATE	CK'ED BY
Projection:		Scale: NTS	Sht. Size: A4	Gen. Tol.: ±0.25mm ±2°	ALL DIMENSIONS ARE IN MM. IF UNLESS OTHERWISE SPECIFIED.



PROTECTRON ELECTROMECH (P) LTD

DESCRIPTION : RADIAL LEAD MICRO FUSES TIME LAG

PART NO: PMT SERIES

TIME LAG FUSES TYPE PMT

PROTECTRON PART NUMBERS	Ampere Rating (In)	Voltage Rating (V)
PMT 0.1A	100mA	250V
PMT 0.125A	125mA	
PMT 0.16A	160mA	
PMT 0.2A	200mA	
PMT 0.25A	250mA	
PMT 0.315A	315mA	
PMT 0.4A	400mA	
PMT 0.5A	500mA	
PMT 0.63A	630mA	
PMT 0.8A	800mA	
PMT 1A	1A	
PMT 1.25A	1.25A	
PMT 1.6A	1.6A	
PMT 2A	2A	
PMT 2.5A	2.5A	
PMT 3.15A	3.15A	
PMT 4A	4A	
PMT 5A	5A	
PMT 6.3A	6.3A	

ELECTRICAL CHARACTERISTIC

RATED CURRENT	1.5 In		2.1 In		2.75 In		4 In		10 In	
	MIN	MAX	MIN	MAX	MIN	MAX	MIN	MAX	MIN	MAX
40mA~5A	60 min	2 min	400 ms	10 sec	150 ms	3 sec	20 ms	150 ms		
6.3A~10A	60 min	2 min	400 ms	10 sec	150 ms	3 sec	15 ms	150 ms		

ORDERING INFORMATION

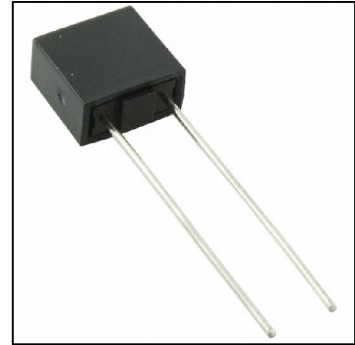
PMT SERIES
(REFER TABLE)

DESCRIPTION : RADIAL LEAD MICRO FUSES TIME LAG

PART NO:PMT SERIES

RoHS 

APPROVALS:



PHYSICAL DATA

MATERIAL

BASE AND CAP : PA66, UL 94-V0. BLACK COLOR
ROUND PINS : COPPER, TIN PLATED

PACKAGING TYPE

IN BULK : 1000 pcs per box
ON TAPE : Ammo Pack, 1000pcs box

ELECTRICAL DATA

BREAKING CAPACITY : 50A @ 300V AC

VOLTAGE RATING : UPTO 300VAC

APPLICABLE STANDARDS

**IEC60127-1 &
 IEC60127-3 SHEET 1V**

ELECTRICAL CHARACTERISTIC

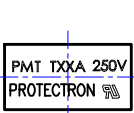
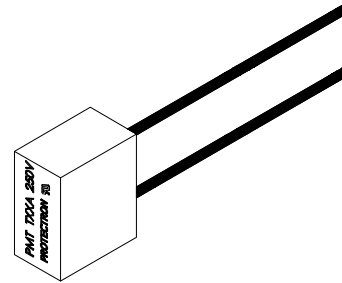
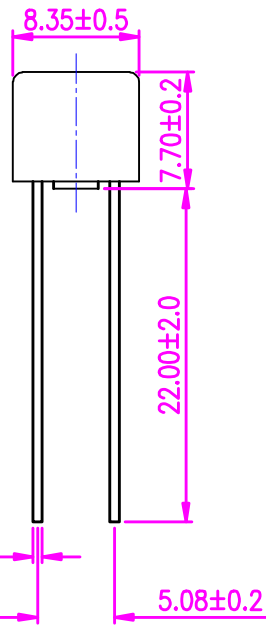
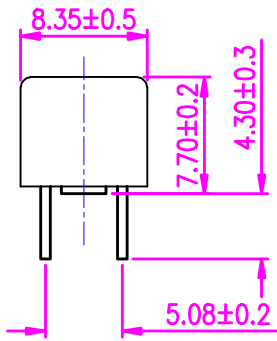
RATED CURRENT	1.5 In		2.1 In		2.75 In		4 In		10 In	
	MIN	MAX	MIN	MAX	MIN	MAX	MIN	MAX	MIN	MAX
40mA~5A	60 min	2 min	400 ms	10 sec	150 ms	3 sec	20 ms	150 ms		
6.3A~10A	60 min	2 min	400 ms	10 sec	150 ms	3 sec	15 ms	150 ms		

DESCRIPTION : RADIAL LEAD MICRO FUSES TIME LAG

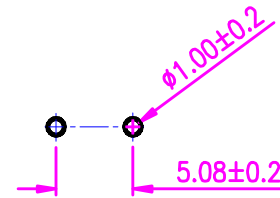
PART NO: PMT SERIES

SHORT LEADS

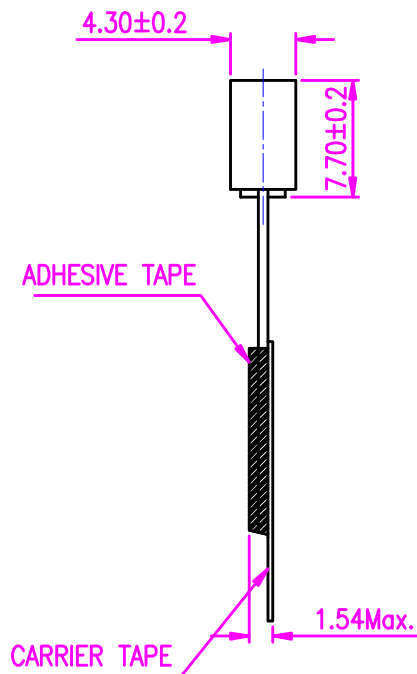
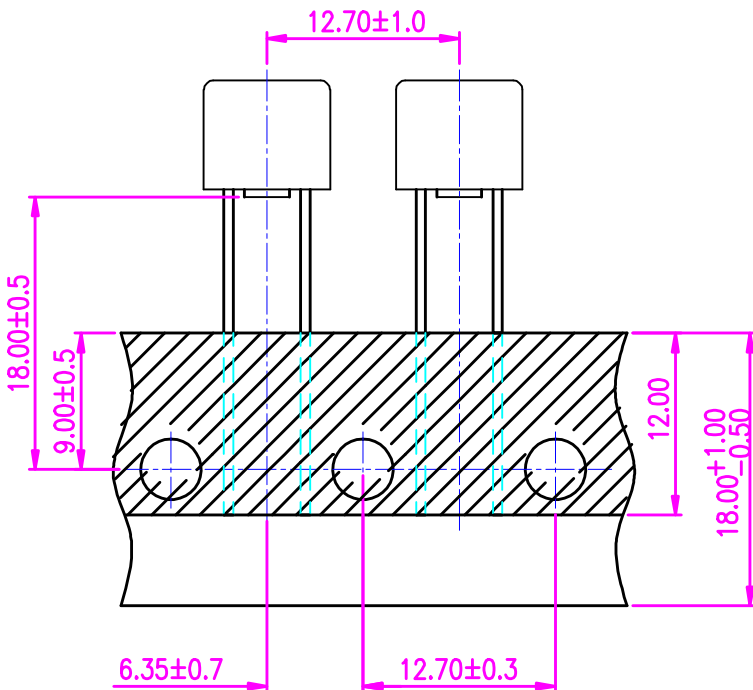
LONG LEADS



$\varnothing 0.62 \pm 0.1$



MOUNTING HOLES



Projection:

Scale: NTS

Sht. Size: A4

Gen. Tol.: ±0.25mm
±2'

ALL DIMENSIONS ARE IN MM.
IF UNLESS OTHERWISE SPECIFIED.

DESCRIPTION : RADIAL LEAD MICRO FUSES TIME LAG

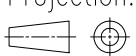
PART NO:PMT SERIES

TIME LAG FUSES TYPE PMT

PROTECTRON PART NUMBERS	Ampere Rating (In)	Voltage Rating (V)
PMT 0.5A V6	500mA	300V
PMT 1A V6	1A	
PMT 2A V6	2A	
PMT 3.15A V6	3.15A	
PMT 4A V6	4A	
PMT 5A V6	5A	
PMT 6.3A V6	6.3A	

ORDERING INFORMATION

PMT SERIES
(REFER TABLE)

A	ORIGINAL	KEERTHI	08.01.2015			
REV.	DESCRIPTION		DRN. BY	DATE	CK'ED BY	APP'D BY
Projection: 		Scale: NTS	Sht. Size: A4	Gen. Tol.: ±0.25mm ±2'	ALL DIMENSIONS ARE IN MM. IF UNLESS OTHERWISE SPECIFIED.	