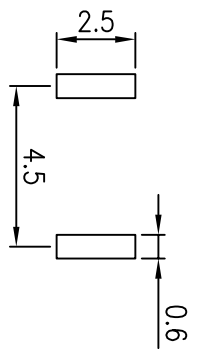
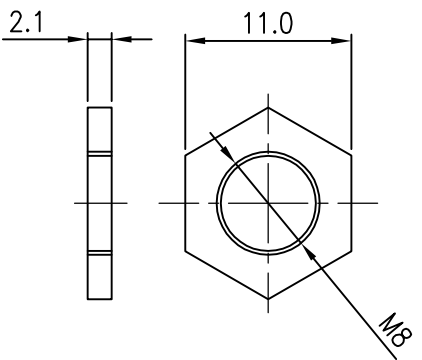
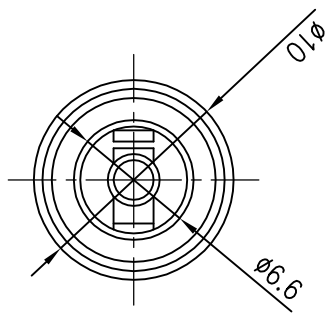
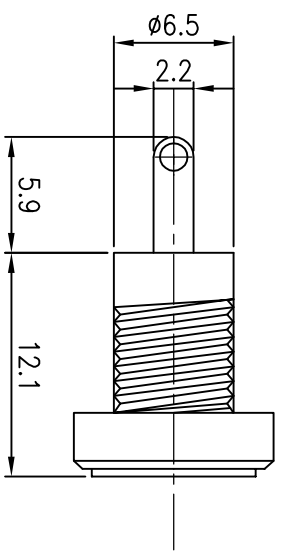


DESC : Ø1.3mm DC JACK

Part No. PDCJ11-03

REV. A



PROVISIONAL

PHYSICAL DATA:

INSULATOR : PBT
 CONTACTS : BRASS, TIN PLATED

ELECTRICAL DATA:

CURRENT RATING : 5A 30VDC
 CONTACT RESISTANCE : 30m OHMS MAX
 INSULATION RESISTANCE : 100M OHMS MIN
 WITH STAND VOLTAGE : 500V AC
 INSERTION & EXTRACTION FORCE : 3-20N
 LIFE TEST : 5000cycles

REV.	ZONE	DESCRIPTION	DRG REV BY	DATE
A		ORIGINAL		05.02.2016

DOCUMENT CODE : -----		MATERIAL & FINISH REFER ABOVE		HEAT TREATMENT -----		Gen. Tol. ±0.5mm ±2		ALL DIMENSIONS ARE IN MM. IF UNLESS OTHERWISE SPECIFIED.	
DRAWN BY : SUMITH		ENG APP'D :		APP'D BY :		Surface 1.6 Finish ReV		This Document is the property of PROTECTORON ELECTROMECH (P) LTD. It shall not be reproduced or communicated to a third party without prior permission.	
DATE : 05.02.2016		DATE :		DATE :		Scale: NTS		DWG according to STD.	
						Sht. Size: A4		Sheet: 1 OF 1	