



PROTECTRON ELECTROMECH (P) LTD

DESCRIPTION : ϕ 2.0mm DC POWER JACK,WITH 3 TERMINALS S/T
PANEL MOUNT WATER PROOF.

PART NO:PDCJ11-02A

RoHS



PHYSICAL DATA

06	COVER	01	PF	
05	CONTACT	01	BRASS	Cu-Sn
04	PIN	01	H59 BRASS	Ni
03	SPRING	01	65Mn STEEL	Cu-Sn
02	FLAT PIECE	01	H62 BRASS	Cu-Sn
01	HOUSING	01	ABS/PBT/PA66	
NO	DESCRIPTION	QTY	MATERIAL	PLATING

ELECTRICAL DATA

CURRENT RATING	:	5A
INSULATION RESISTANCE	:	100M OHMS MIN
CONTACT RESISTANCE	:	30m OHMS MAX
WITHSTAND VOLTAGE	:	500V AC

MECHANICAL DATA

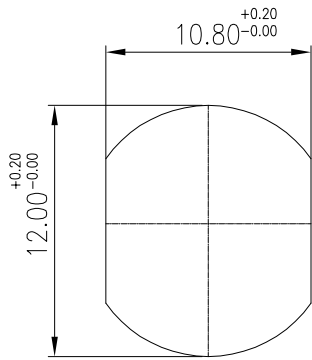
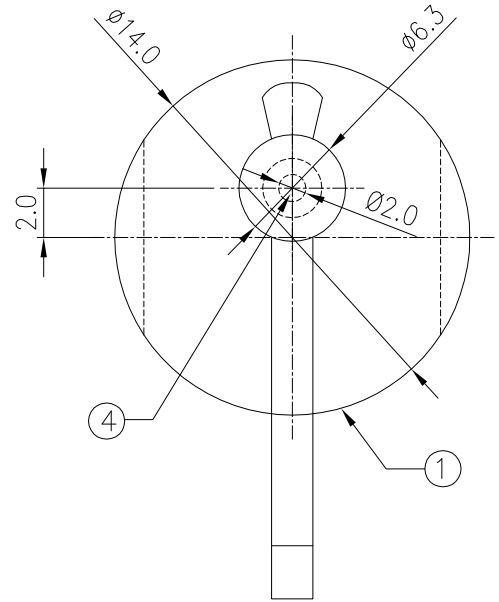
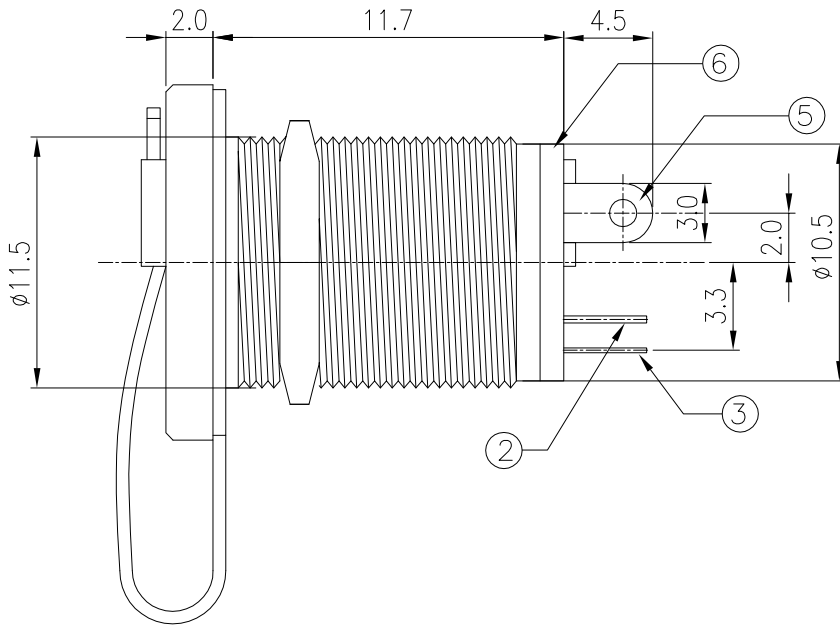
INSERTION & EXTRACTION FORCE	:	3-20N
MECHANICAL LIFE	:	5000 cycles



PROTECTRON ELECTROMECH (P) LTD

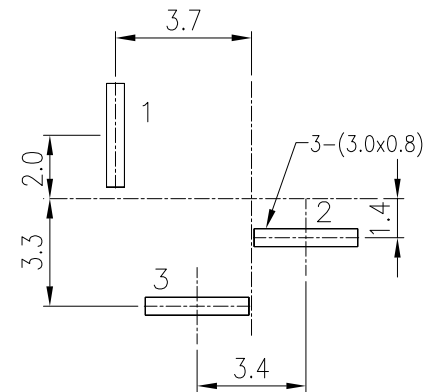
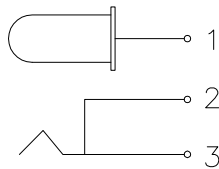
DESCRIPTION : $\phi 2.0$ mm DC POWER JACK, WITH 3 TERMINALS S/T
PANEL MOUNT WATER PROOF.

PART NO: PDCJ11-02A



MOUNTING DETAILS

SCHEMATIC



P.C.B LAYOUT

NOTE: PART IS WATER PROOF ONLY WHEN THE CAP IS IN CLOSED CONDITION.

PROVISIONAL

A	ORIGINAL		SUMITH	20.07.2015		
REV.	DESCRIPTION			DRN. BY	DATE	CK'ED BY APP'D BY
Projection: 		Scale: NTS	Sht. Size: A4	Gen. Tol.: ± 0.5 mm $\pm 2^\circ$	ALL DIMENSIONS ARE IN MM. IF UNLESS OTHERWISE SPECIFIED.	