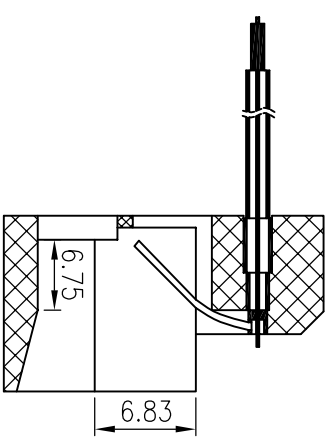


VIEW ON A

C	<b>ELECTRICAL</b>	
	CURRENT RATING	: 1.5A
	INSULATION RESISTANCE	: 500M OHMS MIN
	DIELECTRIC WITHSTANDING	: 500V AC
	CONTACT RESISTANCE	: 85m OHMS MAX
	DURABILITY	: 5000cycles Min
	MATING FORCE	: 500g
	CRIMP TENSILE STRENGTH	: 2.0kgMin
	RETENTION FORCE	: 1.8kgMin
	ENVIRONMENTAL:	
	OPERATION	: 0°C – 70°C
	STORAGE	: -40°C – +80°C



S.L.NO.	CABLE COLOUR
1	BLUE
2	BLACK
3	RED
4	GREEN
5	YELLOW
6	-----

REV.	ZONE	DESCRIPTION	DRG REV BY	DATE
A		ORIGINAL		30.03.2015
A1		WIRE GAUGE CHANGED FROM 28AWG TO 26AWG	SUMITH	23.06.2016

DOCUMENT CODE : XXXXXXXX		MATERIAL & FINISH Wire: 26AWG(7/00.15) Housing: ABS Resin Contact : COPPER ALLOY, GOLD PLATED		HEAT TREATMENT --		Gen. Tol. ±0.25mm ±2°		ALL DIMENSIONS ARE IN MM. IF UNLESS OTHERWISE SPECIFIED.	
DRAWN BY : SUMITH		DATE : 30.03.2015		ENG APP'D : APP'D BY:		Surface Finish Scale: NTS Sht. Size: A4		This Document is the property of PROTECTORON ELECTROMECH (P) LTD. it shall not be reproduced or communicated to a third party without prior permission.	
						PROTECTORON ELECTROMECH (P) LTD. Bangalore, INDIA.		DWG according to STD. Sheet: 1 OF 1	