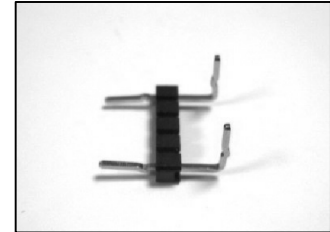




PROTECTRON ELECTROMECH (P) LTD

DESCRIPTION : PIN HEADER 2.54mm PITCH RIGHT ANGLE TYPE WITH KINK PIN. PART NO: P9102N02-14-4DK

RoHS



PHYSICAL DATA

INSULATION

MATERIAL : PBT 30% GF
FLAMMABILITY : UL94V-0
COLOR : BLACK

CONTACT

MATERIAL : COPPER ALLOY
FINISH : 4 μ Sn OVER 1.25 μ Ni PLATING(PROCESS TOLERANCE \pm 10%)

PACKING TYPE : STANDARD PACKING

ELECTRICAL DATA

CURRENT RATING : 3A
INSULATION RESISTANCE : 1000M OHMS MIN
CONTACT RESISTANCE : 20m OHMS MAX
VOLTAGE RATING : 500V AC for one minute

ENVIRONMENTAL DATA

TEMPERATURE RANGE : -40°C TO +105°C

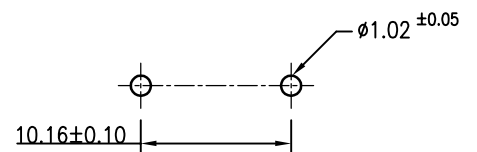
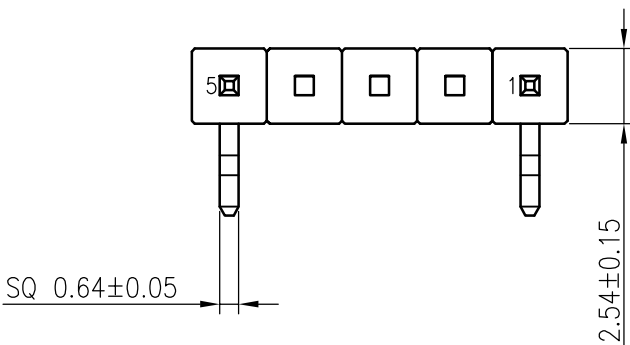
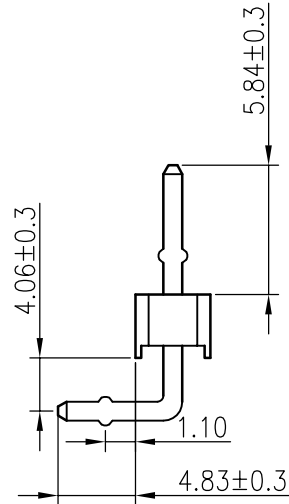
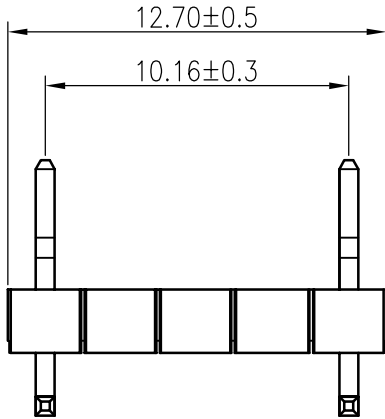
PROVISIONAL



PROTECTRON ELECTROMECH (P) LTD

DESCRIPTION : PIN HEADER 2.54mm PITCH RIGHT ANGLE TYPE WITH KINK PIN.

PART NO: P9102N02-14-4DK



RECOMMENDED P.C.B. LAYOUT

PROVISIONAL

A	ORIGINAL	VENILA	28.04.2016		
REV.	DESCRIPTION		DRN. BY	DATE	CK'ED BY APP'D BY
Projection: 		Scale: NTS	Sht. Size: A4	Gen. Tol.: ±0.5mm ±2°	ALL DIMENSIONS ARE IN MM. IF UNLESS OTHERWISE SPECIFIED.